

Q1

2026

**UNIQUE
MICRO
DESIGN**

SE_NOR

Authorised Distributors For

PRICE LIST

Q1 2026

LIST PRICING



Contents



INDUSTRIAL SOLUTIONS	Page
HPC X6A	4
HPC X10W / X12W	6
XPC N10W	8
RPC N10W	10
rSPC	12



POINT-OF-SALE SOLUTIONS	
All-in-one POS Systems	
NanoPAD	15
X series POS	17
V series POS	24
K series POS	32
A series POS	38
iS series POS	41
Yocto POS	49
Hecto POS	52
KDS	55
Peta POS	59
Exa POS	61



Touch Monitors / Customer Displays	
nXMON	64
KDM	65
NXMON	66



POINT-OF-SERVICE SOLUTIONS	Page
X5 mini Kiosk	68
Miki kiosk stand	70
Senki kiosk stand	71
Sureki 21 kiosk solutions	72
Gemini 21 kiosk solutions	73

POS PERIPHERALS	
Thermal Printers	75
Dot Matrix Printers	78
Cash Drawers	79
Barcode Scanners	81
Tablet Mounting Solutions	83
VESA Mounting Solutions	84
Pole Mounting Solutions	86
External Devices & Accessories	90

Industrial Solutions



Rugged Handheld PC



Rugged Handheld Tablet



Stainless Steel HMI



Rugged Vehicle PC

HPC X6A



FEATURES

- **IP68 rated** - water & dust protected
- MIL-STD-810H ATEX Zone 2/22 certified
- 7H hardness Corning Gorilla glass
- -20 °C to 60 °C wide working temperature
- Superior performance Zebra SE4710 or Honeywell 6803 1D / 2D barcode reader*
- Android 14 with Google GMS certified
- **6.56" high brightness LCD 670 nits**
- Projected capacitive multi-touch
- Resolution 720 x 1612 pixels
- Octa cores Cortex A72 + A53 CPU
- 8 GB RAM / 128 GB eMMC
- 5800 mAh battery up to 16 hours

*Optional

X6A Handheld PC



USB Ports	RFID	Bluetooth	Wireless LAN	WWAN	Micro SD Slot
1 x USB 2.0 Type-C	ISO14443 A/B MIFARE up to 4 cm	5.1 (BLE) up to 30 m	802.11 b/g/n/ac (2.4 GHz + 5 GHz)	3G/4G LTE (Nano SIM)	1 (up to 128 GB)

MODEL	ITEM CODE	PRODUCT SPECIFICATION	CODE	LIST EX GST
HPC X6A	HPCX6A	6.56" TFT LCD, 720 x 1612 resolution, 670 cd/m brightness 5-point PCT multi-touch, wet hand / gloved touch supported Octa cores Cortex 2*A76 + 6*A55, 8 GB RAM, 128 GB eMMC Android 14 with Google GMS certified Zebra SE4710 1D/2D barcode scanner, optional Honeywell 6803 supports long range scanning up to 10 metre NFC (RFID), GPS, proximity/ambient/accelerate sensor, E-compass, gyroscope, fingerprint reader	A	\$1250

OPTIONAL MODULES AND ACCESSORIES

MODEL	ITEM CODE	PRODUCT SPECIFICATION	CODE	LIST EX GST
Charging Dock	HPC-X6ACHGR	5V / 2A charging through pogo pins	A	\$110

HPC X10W / X12W

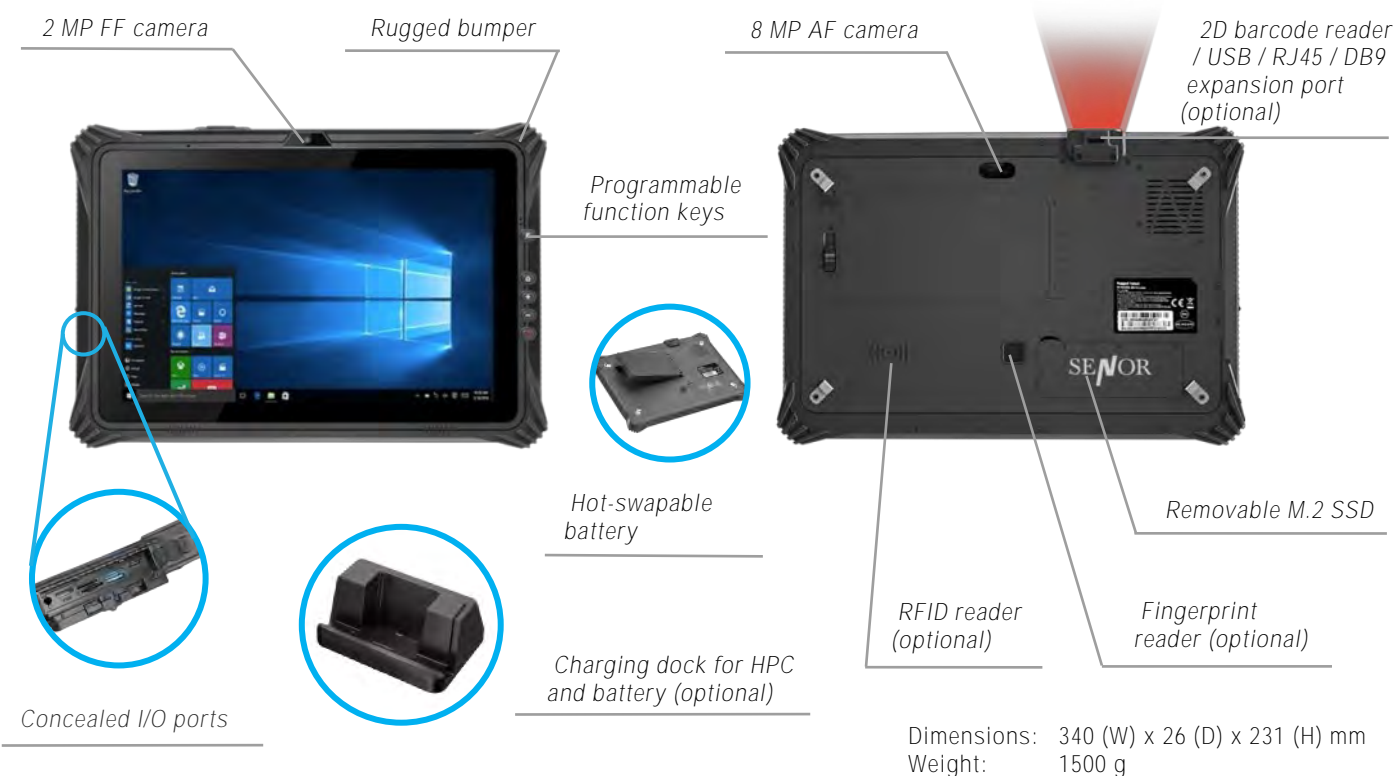


FEATURES

- **IP65 rated** - water & dust protected
- MIL-STD-810G compliant 120 cm drop Resistance
- **700 nits** sunlight readable display*
- Comprehensive charging dock*
- Superior performance Honeywell N3680 2D barcode reader*
- **10.1" / 12.2" IPS LED backlight LCD**
- Projected capacitive multi-touch
- Resolution 1920 x 1200 pixels
- Intel® Core i5-1235U / i7-1255U
- 16 GB DDR4 RAM / 128 GB M.2 SSD
- Hot swappable 5000 / 6300 mAh battery up to 4.5 / 5.5 hours

*Optional

X10W / X12W Rugged Tablet PC



USB Ports	Display	Bluetooth	Wireless LAN	4G (standard SIM)	Micro SD Slot
1 x 3.0 Type-A 1 x 3.0 Type-C	1 x HDMI 1.4a	5.1	802.11 b/g/n/ac/ax (2.4 GHz + 5.8 GHz)	800 (B20)/850 (B5)/900 (B8)/ 1800 (B3)/2100 (B1)/ 2300 (B40)/2600 (B7) MHz	1 (up to 128 GB)

MODEL	ITEM CODE	PRODUCT SPECIFICATION	CODE	LIST ex GST
HPC X10W N5	HPCX10WN5	10.1" IPS LCD, 1920 x 1200 resolution, 400 cd/m brightness 10-point PCT multi-touch, IP65 rated whole unit Intel Quad Core Celeron N5100 1.1 GHz up to 2.8 GHz 8 GB DDR4 RAM, 128 GB removable M.2 NVMe 2280 SSD	A	\$2400
HPC X12W T5	HPCX12WT5	12.2" IPS LCD, 1920 x 1200 resolution, 650 cd/m brightness 10-point PCT multi-touch, IP65 rated whole unit Intel Core i5-1235U (10 cores) 1.3 GHz up to 4.4 GHz 16 GB DDR4 RAM, 128 GB removable M.2 NVMe 2280 SSD	A	\$3500
HPC X12W T7	HPCX12WT7	12.2" IPS LCD, 1920 x 1200 resolution, 650 cd/m brightness 10-point PCT multi-touch, IP65 rated whole unit Intel Core i7-1255U (10 cores) 1.7 GHz up to 4.7 GHz 16 GB DDR4 RAM, 128 GB removable M.2 NVMe 2280 SSD	A	\$4000

OPTIONAL MODULES AND ACCESSORIES

MODEL	ITEM CODE	PRODUCT SPECIFICATION	CODE	LIST ex GST
RFID Reader	HPCXW-RFID	13.56 MHz NFC ISO 14443A/B, 15693, 18092, 4cm	A	\$105
Fingerprint Reader	HPCXW-FP	Serial Peripheral Interface (SPI) fingerprint sensor	A	\$105
2D Barcode Reader	HPCXW-2D	Honeywell N3680 1D/2D image reader (10"/12")	A	\$320
Charging Dock	HPCXW-CHGR	Charges tablet and spare battery at the same time, with 1 x DB9 + 1 x RJ45 + 2 x USB 2.0 ports	A	\$240
Lithium Battery	HPCX10W-BATT HPCX12W-BATT	5000 mAh up to 5.5 hours (X10W) 6300 mAh up to 4.5 hours (X12W)	A	\$240
Vehicle Mount Charger	HPCX10W-VUM HPCX12W-VUM	Lockable aluminum alloy frame, supports VESA/ RAM, with 1 x DB9 + 1 x RJ45 + 2 x USB 2.0	A	\$350

XPC N10W



FEATURES

- **ATEX-B 2/22 ZONE Certified**
- **IP65 rated** - water & dust protected
- MIL-STD-810G compliant 120 cm drop Resistance
- 400 / **700 nits*** sunlight readable display
- Superior performance Honeywell N3680 2D barcode reader*
- Supports Windows 10/11 or Ubuntu*
- **10.1" IPS LED backlight LCD**
- Projected capacitive multi-touch
- Resolution 1920 x 1200 pixels (high brightness 1280 x 800 pixels)
- Intel® Quad Core Celeron N5100
- 8 GB DDR4L RAM / 128 GB eMMC
- Removable 5000 mAh battery up to 8 hours

*Optional

N10W Explosion-proof Rugged Tablet PC



Dimensions: 275 (W) x 23 (D) x 189 (H) mm
Weight: 1140 g

USB Ports	Display	Bluetooth	Wireless LAN	4G (standard SIM)	Micro SD Slot
1 x 3.0 Type-A 1 x 3.1 Type-C	1 x mini HDMI 2.0a	5.0	802.11 b/g/n/ac/ax (2.4 GHz + 5.8 GHz)	800 (B20)/850 (B5)/900 (B8)/ 1800 (B3)/2100 (B1)/ 2300 (B40)/2600 (B7) MHz	1 (up to 512 GB)

MODEL	ITEM CODE	PRODUCT SPECIFICATION	CODE	LIST Ex GST
XPC N10W N5	XPCN10W	10.1" IPS LCD, 1920 x 1200 resolution, 400 cd/m brightness 10-point PCT multi-touch, IP65 rated whole unit Intel Quad Core Celeron N5100 1.1 GHz up to 2.8 GHz 8 GB DDR4L RAM, 128 GB eMMC	Project based	

OPTIONAL MODULES AND ACCESSORIES

MODEL	ITEM CODE	PRODUCT SPECIFICATION	CODE	LIST Ex GST
High Brightness LCD	XPC-HBLCD	1280 * 800 HD resolution, 700 nits brightness	A	\$160
Expansion Port	XPC-EXP	Choose from USB-A 2.0 / RJ45 100M / DB9 Serial	A	\$80
RFID Reader	XPC-RFID	13.56 MHz NFC ISO 14443A/B, 15693, 18092, 4cm	A	\$105
2D Barcode Reader	XPC-2D	Honeywell N3680 1D/2D image reader (10"/12")	A	\$320
Charging Dock	XPC-CHGR	Charges tablet and spare battery at the same time, with 1 x DB9 + 1 x RJ45 + 2 x USB 2.0 ports	A	\$240
Lithium Battery	XPC-BATT	5000 mAh up to 8 hours	A	\$240
Vehicle Mount Charger	XPC-VUM	Lockable aluminum alloy frame, supports VESA/RAM, with 1 x DB9 + 1 x RJ45 + 2 x USB 2.0	A	\$350

RPC N10W



FEATURES

- **IP65 rated** - water & dust protected
- MIL-STD-810H certified 120 cm drop resistance
- -20 to 60 °C working temperature
- VESA / RAM vehicle mounting*
- **1000 nits** sunlight readable display
- 4 Programmable function keys
- **10.1" IPS LED backlight LCD**
- Projected capacitive multi-touch
- Resolution 1280 x 800 pixels
- Intel® Quad Core Celeron N5100
- 8 GB LPDDR3 RAM / 128 GB eMMC
- Optional 1000 mAh battery

*Optional

N10W Rugged Vehicle PC



USB Port	LAN Port	Serial Port	Expansion Port	4G LTE (Nano SIM)	Wireless LAN
1 x 3.0 Type-A	Factory option 1 x RJ45 100M LAN	Factory option 1 x RS232 DB9 (9 pin) + 1 x RS232 DB9 (3 pin) OR 1 x RS232 DB9 (9 pin) + 1 x RS485 DB9 (3 pin)	Factory option 3 x USB 2.0 Type-A OR 2 x USB 2.0 Type-A + 1 x CAN	850 (B5) MHz 900 (B8) MHz 1800 (B3) MHz 2100 (B1) MHz 2300 (B40) MHz 2600 (B7) MHz	802.11 b/g/n/ac (2.4 GHz + 5.8 GHz) + BT 5.0 (BLE)

MODEL	ITEM CODE	PRODUCT SPECIFICATION	CODE	LIST ex GST
RPC N10W	RPCN10W	10.1" IPS LCD, 1280 x 800 resolution, 1000 cd/m brightness 5-point PCT multi-touch, IP65 rated whole unit Intel Quad Core Celeron N5100 1.1 GHz up to 2.8 GHz 8 GB LPDDR4 RAM, 128 GB eMMC	Project based	

OPTIONAL MODULES AND ACCESSORIES

MODEL	ITEM CODE	PRODUCT SPECIFICATION	CODE	LIST ex GST
RFID Reader	XPC-RFID	13.56 MHz NFC ISO 14443A/B, 15693, 18092, 4cm	A	\$105
Wide Voltage Module	RPC-WVM	External 9V to 36V DC wide voltage module	A	\$80
GPS Vehicle Antenna	RPC-GPS	Mushroom type GPS / GLONASS	A	\$30
Power Supply Unit	RPC-PSU	19V 3.42A output, 100-240V input	A	\$80
Lithium Battery	RPC-BATT	1000 mAh lithium battery	A	\$65
Vehicle Mount	RPC-VM	Lockable aluminum alloy frame, supports VESA/ RAM, with 1 x DB9 + 1 x RJ45 + 2 x USB 2.0	A	\$100

rSPC



FEATURES

- Specially designed to meet the demands of harsh environments
- Bezel-less PCT touch screen
- Fully stainless steel SUS 304 chassis
- **IP66 rated** - water & dust protected
- Fanless and ventless
- 75 / 100 VESA mount capable
- Waterproof circular connector/antenna set
- **18.5" or 21.5" (widescreen) TFT LED** backlight screen
- **Resolution 1920 x 1080 (21.5")**
- Intel® Quad Core N95 or Gen 12
- Intel® Core i3-1215U (6 cores)
- 1 x DDR4 slot up to 32 GB of RAM
- 2 x M.2 NVMe 2280 SSD slot

rSPC Industrial Panel PC

Specially designed to meet the demands of harsh environments



Serial Ports	USB Ports	LAN Ports	Dimensions: 441 (W) x 54 (D) x 270 (H) mm (18.5")
1 x RS232/422/485	3 x USB 2.0	1 (up to 2 x RJ45)	Weight: 7 kg
			Dimensions: 518 (W) x 68 (D) x 320 (H) mm (21.5")
			Weight: 9 kg

MODEL	ITEM CODE	PRODUCT SPECIFICATION	CODE	LIST EX GST
rSPC N118	RSPCN118	18.5" TFT LED, projected capacitive touch screen 1920 x 1080 resolution, 350 cd/m ² brightness Intel Quad Core N95 1.7 GHz up to 3.4 GHz 8 GB DDR4 RAM, 128 GB M.2 NVMe 2280 SSD	A	\$4950
rSPC T318	RSPCT318	18.5" TFT LED, projected capacitive touch screen 1920 x 1080 resolution, 350 cd/m ² brightness Intel Hexa Core i3-1215U 1.2 GHz Turbo Boost up to 4.4 GHz 8 GB DDR4 RAM, 128 GB M.2 NVMe 2280 SSD	A	\$5400

MODEL	ITEM CODE	PRODUCT SPECIFICATION	CODE	LIST EX GST
rSPC N121	RSPCN121	21.5" TFT LED, projected capacitive touch screen 1920 x 1080 resolution, 250 cd/m ² brightness Intel Quad Core N95 1.7 GHz up to 3.4 GHz 8 GB DDR4 RAM, 128 GB M.2 NVMe 2280 SSD	A	\$5100
rSPC T321	RSPCT321	21.5" TFT LED, projected capacitive touch screen 1920 x 1080 resolution, 250 cd/m ² brightness Intel Hexa Core i3-1215U 1.2 GHz Turbo Boost up to 4.4 GHz 8 GB DDR4 RAM, 128 GB M.2 NVMe 2280 SSD	A	\$5600

OPTIONS & UPGRADES - rSPC SERIES

ACCESSORIES & UPGRADE OPTIONS

MODEL	ITEM CODE	PRODUCT SPECIFICATION	CODE	LIST EX GST
Wi-Fi Module	S-WFFBK02200	Integrated 802.11 b/g/n/ac 2T2R wireless LAN + BT 5.0	A	\$160
SSD Upgrade	SSDUPGRADE	From 120 GB to 240 GB	A	\$150
		From 120 GB to 480 GB	A	\$320
		From 120 GB to 960 GB	A	\$640
RAM Upgrade	RAMUPGRADE	From 8 GB to 16 GB	A	\$320
		From 8 GB to 32 GB	A	\$640

OPERATING SYSTEM OPTIONS

MODEL	ITEM CODE	PRODUCT SPECIFICATION	CODE	LIST EX GST
Windows 10 IoT 2021	MUU-00027	Windows 10 IoT Enterprise LTSC 2021 Entry (for N95) (pre-installed with Senor drivers) 64 bit	A	\$160
Windows 10 IoT 2021	MUU-00028	Windows 10 IoT Enterprise LTSC 2021 Value (for i3/i5) (pre-installed with Senor drivers) 64 bit	A	\$240
Windows 11 IoT 2024	EP2-07328	Windows 11 IoT Enterprise LTSC 2024 Entry (for N95) (pre-installed with Senor drivers) 64 bit	A	\$160
Windows 11 IoT 2024	EP2-07324	Windows 11 IoT Enterprise LTSC 2024 Value (for i3/i5) (pre-installed with Senor drivers) 64 bit	A	\$240
Windows 11 Pro	WIN11PRO	Windows 11 Professional OEM (pre-installed with Senor drivers) 64 bit	A	\$400

All-in-one POS Systems



X Series



V Series



iS Series



Hecto POS



K Series



Yocto POS

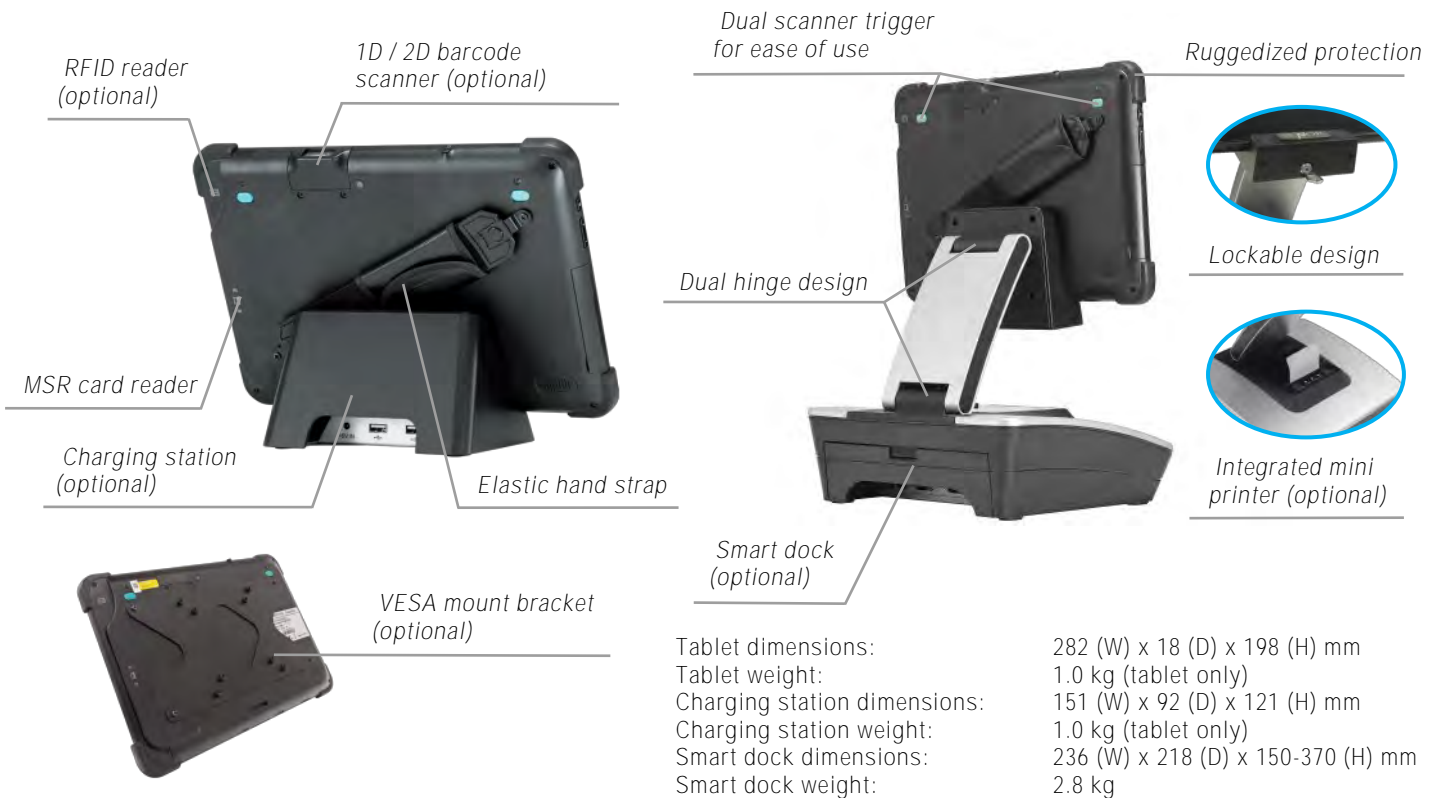
NanoPAD



FEATURES

- Built-in 3-track MSR, Bluetooth 4.1
- Designed to withstand up to 120 cm drop
- Dual band Wi-Fi 2.4 GHz & 5 GHz
- Ergonomical hand strap
- Support 4G LTE module
- Optional charging stand / smart dock
- VESA-mount capable
- **10.1" TFT LED backlight screen**
- Resolution 1280 x 800 pixels
- Projected capacitive multi-touch
- Intel® Quad Core Celeron N4120
1.10 GHz Turbo Boost up to 2.60 GHz
- 5500 mAh battery up to 7 hours
(normal usage conditions)

NanoPAD TABLET POS SYSTEM



Tablet dimensions: 282 (W) x 18 (D) x 198 (H) mm
 Tablet weight: 1.0 kg (tablet only)
 Charging station dimensions: 151 (W) x 92 (D) x 121 (H) mm
 Charging station weight: 1.0 kg (tablet only)
 Smart dock dimensions: 236 (W) x 218 (D) x 150-370 (H) mm
 Smart dock weight: 2.8 kg

Video Port	USB Ports	Audio Port	Bluetooth	Wireless LAN	Speakers	Micro SD Slot
1 x micro HDMI	1 x USB-A 3.0 1 x micro-B 2.0	1 x 3.5 mm	4.1	802.11b/g/n/ac 2.4 & 5 GHz	2 x 1 W	1 (up to 32 GB)

MODEL	ITEM CODE	PRODUCT SPECIFICATION	CODE	LIST EX GST
NanoPAD X	NANOPADX	10.1" LED, 1280 x 800 resolution, 350 cd/m² brightness Intel Quad Core Celeron N4120 1.10 GHz Turbo Boost up to 2.60 GHz, 4 GB RAM, 64 GB eMMC storage Built-in 3-track MSR, Bluetooth, Wi-Fi, GPS & G-sensor	A	\$1900

OPTIONAL OPERATING SYSTEM AND MODULES

MODEL	ITEM CODE	PRODUCT SPECIFICATION	CODE	LIST EX GST
Shoulder Strap	S-ASMPAA004A0	Shoulder strap with quick release clip	A	\$40
1D Scanner Module	NANOPAD1DSCANNER	Honeywell N4315 1D barcode scanner	A	\$265
2D Scanner Module	NANOPAD2DSCANNER	Honeywell N3680 1D/2D image reader	A	\$320
RFID Reader	NANOPADMSRRFID	Supports MiFare one & MiFare CPU card (13.56 MHz)	A	\$190
4G Module	NANOPADX4GMOD	4G LTE/WCDMA/GSM (3G compatible)	A	\$160
Charging station	NANOPADXCD	5V/4A, 2 x USB 2.0	A	\$100
Upgrade to Smart Dock w/o Printer	NANOPADXMD	3 x USB 2.0, 2 x Serial (DB9), 1 x RJ12 (24 V), 1 x LAN	A	\$265
Upgrade to Smart Dock with Printer	NANOPADXMDP	3 x USB 2.0, 2 x Serial (DB9), 1 x RJ12 (24 V), 1 x LAN 57 x 50 mm thermal Printer, 80mm/s, 203 DPI	A	\$350
VESA Mount Bracket	NANOPADVBRK	VESA 75 x 75 mm, 100 x 100 mm	A	\$50
Windows 10 IoT 2021	MUU-00027	Windows 10 IoT Enterprise LTSC 2021 Entry (pre-installed with Senor drivers) 64 bit	A	\$160

x3POS



FEATURES

- Ultra-slim 16 mm thickness touch screen
- Ultra-narrow 8 mm bezel LCD screen
- IP54 rated - water & dust protected
- Fanless, ventless and Screwless
- Removable motherboard/SSD/RAM
- Capacitive sensor power switch
- Accessories available on both screens
- VESA/WP/wall mount capable
- **11.6" LED backlight widescreen**
- Full HD 1920 x 1080 resolution
- Intel® Quad Core Celeron J6412 or Intel® Hexa Core i3-1215U
- 1 x DDR4 up to 32 GB of RAM
- NVMe M.2 2280 SSD (default)
- SATA3 M.2 2242 SSD (expansion)
- Support Linux kernel 3.0 up

All-in-one x3POS point of sale solutions



*Pole is not included

Dimensions: 285 (W) x 195 (D) x 44 to 373 (H) mm
Weight: 5 kg

Serial Ports	USB Ports	Video Port	LAN Port	Speakers	Audio Port	DK Port
2 x RJ50	5 x USB 2.0 1 x USB 3.0	N/A	1 x RJ45	2 x 2 W	N/A	1 x RJ12 (12/24 V)

MODEL	ITEM CODE	PRODUCT SPECIFICATION	CODE	LIST ex GST
x3POS J64	X3S J64X	11.6" LED backlight LCD, PCT touch screen 1920 x 1080 resolution, 300 cd/m ² brightness Intel Quad Core Celeron J6412 2.0 GHz up to 2.6 GHz 8 GB DDR4 RAM, 128 GB removable M.2 NVMe 2280 SSD	A	\$2400
x3POS T311 (BY ORDER)	X3S T311	11.6" LED backlight LCD, PCT touch screen 1920 x 1080 resolution, 300 cd/m ² brightness Intel Hexa Core i3-1215U 1.2 GHz turbot Boost up to 4.4 GHz 8 GB DDR4 RAM, 128 GB removable M.2 NVMe 2280 SSD	A (BY ORDER)	\$2850

OPTIONS & UPGRADES - x3POS SERIES



ACCESSORIES

MODEL	ITEM CODE	PRODUCT SPECIFICATION	CODE	LIST EX GST
Customer Display	XMON11S	XMON 11.6" glass monitor	A	\$550
	Z-XSVD-B0AS01A	Integrated 2-line VFD customer display	A	\$290
3T MSR Reader	Z-XSCR-M1M0A01A	3-track MSR (1+2+3) card reader	A	\$200
RFID Reader	Z-XSCR-F0R0A00A	13.56 MHz, USB Virtual COM, read/write	A	\$290
	Z-XSCR-F0R3A00A	125 kHz, USB read only	A	\$290
Wireless Kit Set	S-WFFFBK02200	Internal Wi-Fi 802.11 a/b/g/n/ac 2T2R + BT 5.0	A	\$190
Integrated 2D Barcode Reader	Z-XSCR-M1S2A01A	Integrated 2D barcode scanner Kit, facing down (BY ORDER)	A	\$450
Printer wall mount bracket	MK-FFXSYVSA0	Wall mount bracket kit for X3POS w/ printer (for TP250)	A	\$100

SSD & RAM UPGRADE OPTIONS

MODEL	ITEM CODE	PRODUCT SPECIFICATION	CODE	LIST EX GST
SSD Upgrade	SSDUPGRADE	From 120 GB to 240 GB	A	\$150
		From 120 GB to 480 GB	A	\$300
		From 120 GB to 960 GB	A	\$600
RAM Upgrade	RAMUPGRADE	From 8 GB to 16 GB	A	\$320
		From 8 GB to 32 GB	A	\$640

OPERATING SYSTEM OPTIONS

MODEL	ITEM CODE	PRODUCT SPECIFICATION	CODE	LIST EX GST
Windows 10 IoT 2021	MUU-00027	Windows 10 IoT Enterprise LTSC 2021 Entry (for J6412) (pre-installed with Senor drivers) 64 bit	A	\$160
Windows 10 IoT 2021	MUU-00028	Windows 10 IoT Enterprise LTSC 2021 Value (for i3/i5) (pre-installed with Senor drivers) 64 bit	A	\$240
Windows 11 IoT 2024	EP2-07328	Windows 11 IoT Enterprise LTSC 2024 Entry (for J6412) (pre-installed with Senor drivers) 64 bit	A	\$160
Windows 11 IoT 2024	EP2-07324	Windows 11 IoT Enterprise LTSC 2024 Value (for i3/i5) (pre-installed with Senor drivers) 64 bit	A	\$240
Windows 11 Pro	WIN11PRO	Windows 11 Professional OEM (pre-installed with Senor drivers) 64 bit	A	\$400

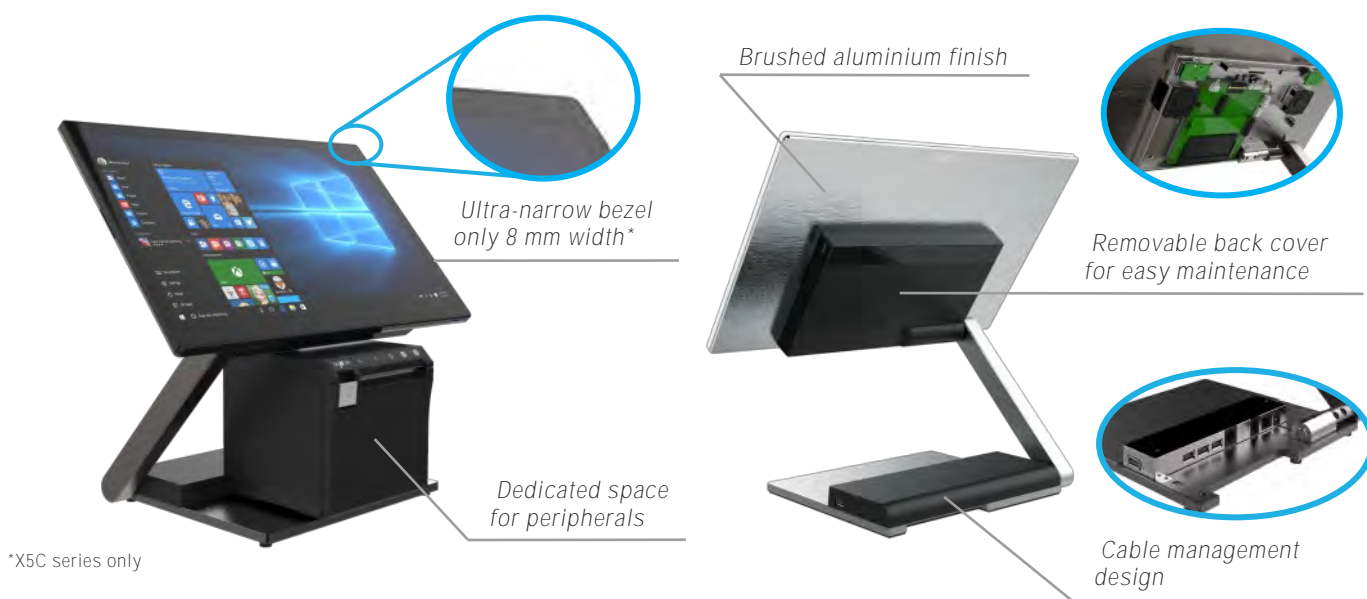
x5POS



FEATURES

- Ultra-slim 10 mm thickness touch screen*
- Ultra-narrow 8 mm bezel LCD screen*
- IP54 rated - water & dust protected
- Fanless, ventless and Screwless
- Removable motherboard/SSD/RAM
- Capacitive sensor power switch
- Accessories available on both screens
- VESA/WP/wall mount capable
- **15.6" LED backlight widescreen**
- Full HD 1920 x 1080 resolution
- Intel® Quad Core Celeron J6412 or Intel® Hexa Core i3-1215U
- 1 x DDR4 up to 32 GB of RAM
- NVMe M.2 2280 SSD (default)
- SATA3 M.2 2242 SSD (expansion)
- Support Linux kernel 3.0 up*

All-in-one x5POS point of sale solutions



*Accessory on customer display is BY ORDER

Dimensions: 367 (W) x 195 (D) x 38 to 426 (H) mm
Weight: 7.5 kg

Serial Ports	USB Ports	Video Port	LAN Port	Speakers	Audio Port	DK Port
2 x RJ50	5 x USB 2.0 1 x USB 3.0	N/A	1 x RJ45	2 x 2 W	N/A	1 x RJ12 (24 V)

MODEL	ITEM CODE	PRODUCT SPECIFICATION	CODE	LIST ex GST
x5POS J64	X5C J64	15.6" LED, on-cell PCT touch (10 mm thickness LCD), 1920 x 1080 resolution, 300 cd/m ² brightness Intel Quad Core Celeron J6412 2.0 GHz up to 2.6 GHz 8 GB DDR4 RAM, 128 GB removable M.2 NVMe 2280 SSD	A	\$2550
x5POS T316	X5C T316	15.6" LED, on-cell PCT touch (10 mm thickness LCD), 1920 x 1080 resolution, 300 cd/m ² brightness Intel Hexa Core i3-1215U 1.2 GHz turbot Boost up to 4.4 GHz 8 GB DDR4 RAM, 128 GB removable M.2 NVMe 2280 SSD	A	\$3000

All-in-one x5POS point of sale solutions



Direct wall mounting without bracket

Ultra-slim screen only 10 mm thickness



Pole* mount capable



Available in Android 11.0* / Windows 10



Wall mounting with peripheral integrated

*Pole is not included

Dimensions: 379 (W) x 195 (D) x 44 to 428 (H) mm
Weight: 7.5 kg

Serial Ports	USB Ports	Wireless LAN	LAN Port	Speakers	Audio Port	DK Port
1 x RJ50	3 x USB 2.0 1 x USB 3.0	802.11 a/b/g/n/ac Bluetooth 4.1	1 x RJ45	2 x 2 W	N/A	1 x RJ12 (24 V)

MODEL	ITEM CODE	PRODUCT SPECIFICATION	CODE	LIST ex GST
x5POS A516 (BY ORDER)	X5S A516	15.6" LED, PCT touch (16 mm thickness LCD), 1920 x 1080 resolution, 300 cd/m ² brightness ARM Quad Core Cortex-A55 (RK3568) up to 2.0 GHz 4 GB RAM, 64 GB eMMC, Android 11.0	A (BY ORDER)	\$3650

OPTIONS & UPGRADES - x5POS SERIES



ACCESSORIES

MODEL	ITEM CODE	PRODUCT SPECIFICATION	CODE	LIST EX GST
Customer Display	XMON11B	XMON 11.6" glass monitor (J64/T316)	A	\$550
	Z-XSM11-B0D0AN01A	XMON 11.6" glass monitor (A516)	A	\$550
	XMON15A	XMON 15.6" on-cell touch (J64/T316)	A	\$950
	Z-XSVD-B0AS01A	Integrated 2-line VFD customer display	A	\$290
3T MSR Reader	Z-XSCR-M2M0A00A	3-track MSR (1+2+3) card reader (A516)	A	\$180
	Z-XSCR-M4M0A00	3-track MSR (1+2+3) card reader (J64/T316)	A	\$200
RFID Reader	Z-XSCR-F0R0A00A	13.56 MHz, USB Virtual COM, read/write (J64/T316)	A	\$290
	Z-XSCR-F0R1A00A	13.56 MHz, USB read UID only (A516)	A	\$290
	Z-XSCR-F0R3A00A	125 kHz, USB read only (J64/T316)	A	\$290
Wireless Kit Set	S-WFFFBK02200	Internal Wi-Fi 802.11 a/b/g/n/ac 2T2R + BT 5.0	A	\$190
Integrated 2D Barcode Reader	Z-XSCR-M4S1A00A	Integrated 2D barcode scanner Kit, facing down (BY ORDER)	A	\$450
Printer wall mount bracket	MK-FFXSYVSAO	Wall mount bracket kit for X5POS w/ printer (for TP250)	A	\$100

SSD & RAM UPGRADE OPTIONS

MODEL	ITEM CODE	PRODUCT SPECIFICATION	CODE	LIST EX GST
SSD Upgrade	SSDUPGRADE	From 120 GB to 240 GB (J64/T316)	A	\$150
		From 120 GB to 480 GB (J64/T316)	A	\$300
		From 120 GB to 960 GB (J64/T316)	A	\$600
RAM Upgrade	RAMUPGRADE	From 8 GB to 16 GB	A	\$320
		From 8 GB to 32 GB	A	\$640

OPERATING SYSTEM OPTIONS

MODEL	ITEM CODE	PRODUCT SPECIFICATION	CODE	LIST EX GST
Windows 10 IoT 2021	MUU-00027	Windows 10 IoT Enterprise LTSC 2021 Entry (for J6412) (pre-installed with Senor drivers) 64 bit	A	\$160
Windows 10 IoT 2021	MUU-00028	Windows 10 IoT Enterprise LTSC 2021 Value (for i3/i5) (pre-installed with Senor drivers) 64 bit	A	\$240
Windows 11 IoT 2024	EP2-07328	Windows 11 IoT Enterprise LTSC 2024 Entry (for J6412) (pre-installed with Senor drivers) 64 bit	A	\$160
Windows 11 IoT 2024	EP2-07324	Windows 11 IoT Enterprise LTSC 2024 Value (for i3/i5) (pre-installed with Senor drivers) 64 bit	A	\$240
Windows 11 Pro	WIN11PRO	Windows 11 Professional OEM (pre-installed with Senor drivers) 64 bit	A	\$400

v5POS



FEATURES

- Ultra-narrow bezel-less screen design
- Aluminium die-cast casing
- Germs proof Nano-coating
- IP54 rated - water & dust protected
- Fanless, ventless and Screwless
- Tool-free replaceable coloured frames
- Internal power supply unit
- Capacitive sensor power switch
- **15" LED backlight screen**
- Projected capacitive multi-touch
- Intel® Quad Core N95 or Intel® Hexa Core i3-1215U
- 2 x DDR4 up to 32/64 GB of RAM
- NVMe M.2 2280 SSD (default)
- SATA3 M.2 2242 SSD (expansion)
- Tool-free removable SSD

All-in-one v5POS point of sale solutions



Dimensions: 366 (W) x 193 (D) x 290 (H) mm
 Weight: 7.5 kg

Serial Ports	USB Ports	Video Port	LAN Port	Speakers	Audio Port	DK Port
3 x RJ50	4 x USB 2.0 2 x USB 3.0	1 x HDMI	1 x RJ45	2 x 1 W	1 x 3.5 mm (combined)	1 x RJ12 (12/24 V)

MODEL	ITEM CODE	PRODUCT SPECIFICATION	CODE	LIST Ex GST
V5POS N115	V5N115PCTX	15" LED, 1024 x 768 resolution, 300 cd/m² brightness Intel Quad Core N95 1.7 GHz up to 3.4 GHz 8 GB DDR4 RAM, 128 GB removable M.2 NVMe 2280 SSD	A	\$2050
V5POS T315 (BY ORDER)	V5T315HDPCT	15" LED, 1024 x 768 resolution, 350 cd/m² brightness Intel Hexa Core i3-1215U 1.2 GHz Turbo Boost up to 4.4 GHz 8 GB DDR4 RAM, 128 GB removable NVMe M.2 2280 SSD	A (BY ORDER)	\$2550

All-in-one v5WP point of sale solutions



Integrated 2D barcode reader (optional)*



7"/9.7"/15" customer display (optional)



Internal power supply for POS and printer



Tool-free removable SSD



*2-in-1 NFC & 2D barcode reader**

Dimensions: 366 (W) x 245 (D) x 495 (H) mm
Weight: 10 kg

* BY ORDER item

Serial Ports	USB Ports	Video Port	LAN Port	Speakers	Audio Port	DK Port
3 x RJ50	4 x USB 2.0 2 x USB 3.0	1 x HDMI	1 x RJ45	2 x 1 W	1 x 3.5 mm (combined)	1 x RJ12 (12/24 V)

MODEL	ITEM CODE	PRODUCT SPECIFICATION	CODE	LIST EX GST
V5WP N115	V5WPN115PCTX	15" LED, 1024 x 768 resolution, 300 cd/m² brightness Intel Quad Core N95 1.7 GHz up to 3.4 GHz 8 GB DDR4 RAM, 128 GB removable M.2 NVMe 2280 SSD	A	\$2400
V5WP T315 (BY ORDER)	V5WPT315HAPCT	15" LED, 1024 x 768 resolution, 350 cd/m² brightness Intel Hexa Core i3-1215U 1.2 GHz Turbo Boost up to 4.4 GHz 8 GB DDR4 RAM, 128 GB removable NVMe M.2 2280 SSD	A (BY ORDER)	\$2850

OPTIONS & UPGRADES - v5POS SERIES



ACCESSORIES

MODEL	ITEM CODE	PRODUCT SPECIFICATION	CODE	LIST EX GST
Customer Display	AMON10EDD	AMON 9.7" glass monitor, resolution 1024 x 768	A	\$550
	VMON15FDB	VMON 15" glass monitor, resolution 1024 x 768	A	\$880
	VMON15PDB	VMON 15" PCT touch monitor, resolution 1024 x 768	A	\$1050
	Z-VI5VD-A0DSC00	Integrated 2-line VFD customer display	A	\$230
3T MSR Reader	Z-VI5CR-A0000AA1	3-track MSR (Magnetic Stripe Reader) card reader	A	\$190
RFID Reader	Z-VI5CR-00100AA1	13.56 MHz, USB Virtual COM, read/write	A	\$270
	Z-VI5CR-00200AA1	125 kHz, USB, read only	A	\$270
	Z-VI5CR-00400AA1	13.56 MHz, USB, read only	A	\$270
2-in-1 3T MSR + RFID Reader	Z-VI5CR-A0100AA1	3-track MSR + RFID 13.56 MHz, USB VCOM, read/write	A	\$350
	Z-VI5CR-A0200AA1	3-track MSR + RFID 125 kHz, USB, read only	A	\$350
	Z-VI5CR-A0400AA1	3-track MSR + RFID 13.56 MHz, USB, read only	A	\$350
7" Touchscreen Kit	MK-BSI5ADM01	7" embedded PCT touch monitor (V5WP/v6WP only) Resolution 800 x 480 (BY ORDER)	A	\$470
Wireless Kit Set	MK-BKV6AWF00	Internal Wi-Fi 802.11 a/b/g/n/ac 2T2R + BT 4.1	A	\$160
Integrated 2D Barcode Reader (RHS of screen)	Z-VISN-S0NAA0	Integrated 2D barcode scanner Kit, angle adjustable 32 bit ARM MCU, 300 scans/sec, omni-directional	A	\$300
Internal 2D Barcode Reader (under screen)	S-SNOPSN00000	Internal 2D barcode scanner Kit, facing down for V5WP (BY ORDER)	A	\$530
Internal 2D Barcode Reader (customer side)	VXWPR2DSCANNER	Internal 2D barcode scanner Kit, facing up for V5WP (BY ORDER)	A	\$530

SSD & RAM UPGRADE OPTIONS

MODEL	ITEM CODE	PRODUCT SPECIFICATION	CODE	LIST EX GST
SSD Upgrade	SSDUPGRADE	From 120 GB to 240 GB	A	\$150
		From 120 GB to 480 GB	A	\$300
		From 120 GB to 960 GB	A	\$600
RAM Upgrade	RAMUPGRADE	From 8 GB to 16 GB	A	\$320
		From 8 GB to 32 GB	A	\$640

OPERATING SYSTEM OPTIONS

MODEL	ITEM CODE	PRODUCT SPECIFICATION	CODE	LIST EX GST
Windows 10 IoT 2021	MUU-00027	Windows 10 IoT Enterprise LTSC 2021 Entry (for N95) (pre-installed with Senor drivers) 64 bit	A	\$160
Windows 10 IoT 2021	MUU-00028	Windows 10 IoT Enterprise LTSC 2021 Value (for i3/i5) (pre-installed with Senor drivers) 64 bit	A	\$240
Windows 11 IoT 2024	EP2-07328	Windows 11 IoT Enterprise LTSC 2024 Entry (for N95) (pre-installed with Senor drivers) 64 bit	A	\$160
Windows 11 IoT 2024	EP2-07324	Windows 11 IoT Enterprise LTSC 2024 Value (for i3/i5) (pre-installed with Senor drivers) 64 bit	A	\$240
Windows 11 Pro	WIN11PRO	Windows 11 Professional OEM (pre-installed with Senor drivers) 64 bit	A	\$400

v6POS



FEATURES

- Ultra-narrow bezel-less screen design
- Aluminium die-cast casing
- Germs proof Nano-coating
- IP54 rated - water & dust protected
- Fanless and Screwless
- Tool-free replaceable coloured frames
- Internal power supply unit
- Capacitive sensor power switch
- **15" LED backlight screen**
- Projected capacitive multi-touch
- Intel® Deca Core i7-1255U 4.7 GHz high performance processor
- 2 x DDR4 up to 64 GB of RAM
- 2nd M.2 SSD Expansion
- Tool-free SSD exchange cover
- Supports RAID 0/1 disk mirroring

All-in-one v6POS point of sale solutions



Dimensions: 366 (W) x 193 (D) x 290 (H) mm
 Weight: 7.5 kg

Serial Ports	USB Ports	Video Port	LAN Port	Speakers	Audio Port	DK Port
3 x RJ50	4 x USB 2.0 2 x USB 3.0	1 x HDMI	1 x RJ45	2 x 2 W	1 x 3.5 mm (combined)	1 x RJ12 (24 V)

MODEL	ITEM CODE	PRODUCT SPECIFICATION	CODE	LIST EX GST
v6POS T515	V6T515HDPCT	15" LED, 1024 x 768 resolution, 350 cd/m² brightness Intel Core i5-1235U 1.3 GHz Turbo Boost up to 4.4 GHz 8 GB DDR4 RAM, 128 GB removable NVMe M.2 2280 SSD	A	\$3350
v6POS T715 (BY ORDER)	V6T715HDPCT	15" LED, 1024 x 768 resolution, 350 cd/m² brightness Intel Core i7-1255U 1.7 GHz Turbo Boost up to 4.7 GHz 8 GB DDR4 RAM, 128 GB removable NVMe M.2 2280 SSD	A (BY ORDER)	\$3650

All-in-one v6WP point of sale solutions



* 7" / upward customer display is BY ORDER item

Dimensions: 366 (W) x 245 (D) x 495 (H) mm
Weight: 10 kg

Serial Ports	USB Ports	Video Port	LAN Ports	Speakers	Audio Port	DK Port
2 x DB9 1 x RJ50	4 x USB 2.0 2 x USB 3.0	1 x HDMI	1 x RJ45	2 x 2 W	1 x 3.5 mm combined	1 x RJ12 (24 V)

MODEL	ITEM CODE	PRODUCT SPECIFICATION	CODE	LIST ex GST
V6WP T515 (BY ORDER)	V6WPT515PCT	15" LED, 1024 x 768 resolution, 350 cd/m² brightness Intel Core i5-1235U 1.3 GHz Turbo Boost up to 4.4 GHz 8 GB DDR4 RAM, 128 GB removable NVMe M.2 2280 SSD	A (BY ORDER)	\$3350
v6WP T715 (BY ORDER)	V6WPT715PCT	15" LED, 1024 x 768 resolution, 350 cd/m² brightness Intel Core i7-1255U 1.7 GHz Turbo Boost up to 4.7 GHz 8 GB DDR4 RAM, 128 GB removable NVMe M.2 2280 SSD	A (BY ORDER)	\$3800

OPTIONS & UPGRADES - v6POS SERIES



ACCESSORIES

MODEL	ITEM CODE	PRODUCT SPECIFICATION	CODE	LIST EX GST
Customer Display	AMON10EDD	AMON 9.7" glass monitor, resolution 1024 x 768	A	\$550
	VMON15FDB	VMON 15" glass monitor, resolution 1024 x 768	A	\$880
	VMON15PDB	VMON 15" PCT touch monitor, resolution 1024 x 768	A	\$1050
	Z-VI5VD-A0DSC00	Integrated 2-line VFD customer display	A	\$230
3T MSR Reader	Z-VI5CR-A0000AA1	3-track MSR (Magnetic Stripe Reader) card reader	A	\$190
RFID Reader	Z-VI5CR-00100AA1	13.56 MHz, USB Virtual COM, read/write	A	\$270
	Z-VI5CR-00200AA1	125 kHz, USB, read only	A	\$270
	Z-VI5CR-00400AA1	13.56 MHz, USB, read only	A	\$270
	Z-VI5CR-A0100AA1	3-track MSR + RFID 13.56 MHz, USB VCOM, read/write	A	\$350
2-in-1 3T MSR + RFID Reader	Z-VI5CR-A0200AA1	3-track MSR + RFID 125 kHz, USB, read only	A	\$350
	Z-VI5CR-A0400AA1	3-track MSR + RFID 13.56 MHz, USB, read only	A	\$350
7" Touchscreen Kit	MK-BSI5ADM01	7" embedded PCT touch monitor (V5WP/v6WP only) Resolution 800 x 480 (BY ORDER)	A	\$470
Wireless Kit Set	MK-BKV6AWF00	Internal Wi-Fi 802.11 a/b/g/n/ac 2T2R + BT 4.1	A	\$160
Integrated 2D Barcode Reader (RHS of screen)	Z-VISN-S0NAA0	Integrated 2D barcode scanner Kit, angle adjustable 32 bit ARM MCU, 300 scans/sec, omni-directional	A	\$300
Internal 2D Barcode Reader (under screen)	S-SNOPSN00000	Internal 2D barcode scanner Kit, facing down for V5WP (BY ORDER)	A	\$530
Internal 2D Barcode Reader (customer side)	VXWPR2DSCANNER	Internal 2D barcode scanner Kit, facing up for V5WP (BY ORDER)	A	\$530

SSD & RAM UPGRADE OPTIONS

MODEL	ITEM CODE	PRODUCT SPECIFICATION	CODE	LIST EX GST
SSD Upgrade	SSDUPGRADE	From 120 GB to 240 GB	A	\$150
		From 120 GB to 480 GB	A	\$300
		From 120 GB to 960 GB	A	\$600
RAM Upgrade	RAMUPGRADE	From 8 GB to 16 GB	A	\$320
		From 8 GB to 32 GB	A	\$640

OPERATING SYSTEM OPTIONS

MODEL	ITEM CODE	PRODUCT SPECIFICATION	CODE	LIST EX GST
Windows 10 IoT 2021	MUU-00028	Windows 10 IoT Enterprise LTSC 2021 Value (for i3/i5) (pre-installed with Senor drivers) 64 bit	A	\$240
Windows 11 IoT 2024	EP2-07324	Windows 11 IoT Enterprise LTSC 2024 Value (for i3/i5) (pre-installed with Senor drivers) 64 bit	A	\$240
Windows 11 IoT 2024	EP2-07320	Windows 11 IoT Enterprise LTSC 2024 High End (pre-installed with Senor drivers) 64 bit	A	\$400
Windows 11 Pro	WIN11PRO	Windows 11 Professional OEM (pre-installed with Senor drivers) 64 bit	A	\$400

K5POS



FEATURES

- **IP66 rated** - water & dust protected
- Aluminium die-cast casing
- Fanless and ventless
- Exclusive nanotechnology coating
- Projected capacitive multi-touch screen
- VESA mount capable
- 90 degree tilting angle base with cable management design
- **15" TFT LED backlight screen**
- **Resolution 1024 x 768 (15")**
- Intel® Quad Core Celeron J6412 or Intel® Octa Core i3-N305
- 2 x DDR4 up to 32/64 GB of RAM
- Removable M.2 NVMe SSD

All-in-one k5POS point of sale solutions

specially designed to meet the demands of harsh environments



Dimensions: 336 (W) x 159 (D) x 302 (H) mm
 Weight: 6 kg

Serial Ports	USB Ports	Video Port	LAN Port	Speakers	Audio Ports	DK Port
3 x RJ50	4 x USB 2.0 2 x USB 3.0	1 x HDMI	1 x RJ45	2 x 1 W	1 x 3.5 mm (combined)	1 x RJ12 (12/24 V)

MODEL (15")	ITEM CODE	PRODUCT SPECIFICATION	CODE	LIST Ex GST
K5POS J64	K5J64PCTX	15" PCT, 1024 x 768 resolution, 350 cd/m² brightness Intel Quad Core Celeron J6412 2.0 GHz up to 2.6 GHz 8 GB DDR4 RAM, 128 GB removable M.2 NVMe 2280 SSD	A	\$2200
K5POS N315	K5N315PCTX	15" PCT, 1024 x 768 resolution, 350 cd/m² brightness Intel Octa Core i3-N305 J6412 1.8 GHz up to 3.8 GHz 8 GB DDR4 RAM, 128 GB removable M.2 NVMe 2280 SSD	A	\$2850

OPTIONS & UPGRADES - k5POS SERIES



ACCESSORIES

MODEL	ITEM CODE	PRODUCT SPECIFICATION	CODE	LIST EX GST
Customer Display	M9FDD	M9 9.7" glass monitor, resolution 1024 x 768	A	\$550
	<i>Available soon</i>	VMON 15" glass monitor, resolution 1024 x 768	A	\$880
	<i>Available soon</i>	Integrated 2-line VFD customer display	A	\$230
3T MSR Reader	Z-F5SCR-A0N00AN00	3-track MSR (Magnetic Stripe Reader) card reader	A	\$190
RFID Reader	Z-VI5CR-00100AA1	13.56 MHz, USB Virtual COM, read/write	A	\$270
	Z-VI5CR-00200AA1	125 kHz, USB, read only	A	\$270
	Z-VI5CR-00400AA1	13.56 MHz, USB, read only	A	\$270
2-in-1 3T MSR + RFID Reader	Z-VI5CR-A0100AA1	3-track MSR + RFID 13.56 MHz, USB VCOM, read/write	A	\$350
	Z-VI5CR-A0200AA1	3-track MSR + RFID 125 kHz, USB, read only	A	\$350
	Z-VI5CR-A0400AA1	3-track MSR + RFID 13.56 MHz, USB, read only	A	\$350
Wireless Kit Set	S-WFFFBK02200	Integrated 802.11 b/g/n/ac 2T2R wireless LAN + BT 5.0	A	\$160
Integrated 2D Barcode Reader	Z-VISN-S0NAA0	Integrated 2D barcode scanner Kit, angle adjustable 32 bit ARM MCU , 300 scans/sec, omni-directional	A	\$300

SSD & RAM UPGRADE OPTIONS

MODEL	ITEM CODE	PRODUCT SPECIFICATION	CODE	LIST EX GST
SSD Upgrade	SSDUPGRADE	From 120 GB to 240 GB	A	\$150
		From 120 GB to 480 GB	A	\$300
		From 120 GB to 960 GB	A	\$600
RAM Upgrade	RAMUPGRADE	From 8 GB to 16 GB	A	\$320
		From 8 GB to 32 GB	A	\$640

OPERATING SYSTEM OPTIONS

MODEL	ITEM CODE	PRODUCT SPECIFICATION	CODE	LIST EX GST
Windows 10 IoT 2021	MUU-00027	Windows 10 IoT Enterprise LTSC 2021 Entry (for J6412) (pre-installed with Senor drivers) 64 bit	A	\$160
Windows 10 IoT 2021	MUU-00028	Windows 10 IoT Enterprise LTSC 2021 Value (for i3/i5) (pre-installed with Senor drivers) 64 bit	A	\$240
Windows 11 IoT 2024	EP2-07328	Windows 11 IoT Enterprise LTSC 2024 Entry (for J6412) (pre-installed with Senor drivers) 64 bit	A	\$160
Windows 11 IoT 2024	EP2-07324	Windows 11 IoT Enterprise LTSC 2024 Value (for i3/i5) (pre-installed with Senor drivers) 64 bit	A	\$240
Windows 11 Pro	WIN11PRO	Windows 11 Professional OEM (pre-installed with Senor drivers) 64 bit	A	\$400

K6POS

K8POS



FEATURES

- **IP66 rated** - water & dust protected
- **4 mm** ultra-slim screen bezel
- **34 mm** thickness aluminium diecast casing
- Fanless and ventless
- Exclusive nanotechnology coating
- VESA mount capable
- Diecast base with 150 degree tilting angle and cable management design
- **15.6" / 18.5" LED backlight screen**
- **On-cell bonding** projected capacitive multi-touch screen
- Full HD 1920 x 1080 resolution
- Intel® Quad Core Celeron N95 or Intel® Hexa Core i7-1255U
- 2 x DDR4 up to 32/64 GB of RAM
- Removable M.2 NVMe SSD

All-in-one k6POS / k8POS point of sale solutions

specially designed to meet the demands of harsh environments



15.6" / 18.5" PCT touch ultra-slim screen bezel

Thinner than a pencil!

MSR / RFID / FP reader (optional)

11.6" / 15.6" customer display (optional)



0-90° tilting 2D barcode reader (optional)



0-150° tilting base with cable management design

Full aluminium die-cast casing

VESA mount capable

Cable cover with rubber plugs for IP66 protection

34 mm thickness compact design

Removable M.2 2280 SSD

Waterproof capacitive power switch

Dimensions: 336 (W) x 159 (D) x 302 (H) mm
Weight: 6 kg

Serial Ports	USB Ports	Video Port	LAN Port	Speakers	Audio Ports	DK Port
3 x RJ50	4 x USB 2.0 2 x USB 3.0	1 x HDMI	1 x RJ45	2 x 1 W	1 x 3.5 mm (combined)	1 x RJ12 (12/24 V)

MODEL (15.6")	ITEM CODE	PRODUCT SPECIFICATION	CODE	LIST ex GST
k6POS N116	K6N116PCTX	15.6" PCT, 1920 x 1080 resolution, 300 cd/m² brightness Intel Quad Core N95 1.7 GHz up to 3.4 GHz 8 GB DDR4 RAM, 128 GB removable M.2 NVMe 2242 SSD	A	\$2400
k6POS N316	K6N316PCTX	15.6" PCT, 1920 x 1080 resolution, 300 cd/m² brightness Intel Core i3-N305 1.8 GHz Turbo Boost up to 3.8 GHz 8 GB DDR4 RAM, 128 GB removable NVMe M.2 2242 SSD	A	\$2850
MODEL (18.5")	ITEM CODE	PRODUCT SPECIFICATION	CODE	LIST ex GST
k8POS N118	K8N118PCTX	18.5" PCT, 1920 x 1080 resolution, 300 cd/m² brightness Intel Quad Core N95 1.7 GHz up to 3.4 GHz 8 GB DDR4 RAM, 128 GB removable M.2 NVMe 2242 SSD	A	\$2850
k8POS N318	K8N318PCTX	18.5" PCT, 1920 x 1080 resolution, 300 cd/m² brightness Intel Core i3-N305 1.8 GHz Turbo Boost up to 3.8 GHz 8 GB DDR4 RAM, 128 GB removable NVMe M.2 2242 SSD	A	\$3200

OPTIONS & UPGRADES - k6POS / k8POS SERIES



ACCESSORIES

MODEL	ITEM CODE	PRODUCT SPECIFICATION	CODE	LIST EX GST
Customer Display	M11B-F6A	M11 11.6" glass monitor, resolution 1920 x 1080	A	\$550
	<i>Available soon</i>	M16 15.6" glass monitor, resolution 1920 x 1080	A	\$880
	<i>Available soon</i>	Integrated 2-line VFD customer display	A	\$230
3T MSR Reader	Z-FK2CRS-M0N0A00A	3-track MSR (Magnetic Stripe Reader) card reader	A	\$190
RFID Reader	<i>Available soon</i>	13.56 MHz, USB Virtual COM, read/write	A	\$270
	<i>Available soon</i>	125 kHz, USB, read only	A	\$270
	<i>Available soon</i>	13.56 MHz, USB, read only	A	\$270
2-in-1 3T MSR + RFID Reader	<i>Available soon</i>	3-track MSR + RFID 13.56 MHz, USB VCOM, read/write	A	\$350
	<i>Available soon</i>	3-track MSR + RFID 125 kHz, USB, read only	A	\$350
	Z-FK2CRS-M0R0A00A	3-track MSR + RFID 13.56 MHz, USB, read only	A	\$350
Wireless Kit Set	MK-BKV6AWF05	Integrated 802.11 b/g/n/ac 2T2R wireless LAN + BT 5.0	A	\$160
Integrated 2D Barcode Reader	Z-VISN-S0NAA0	Integrated 2D barcode scanner Kit, angle adjustable 32 bit ARM MCU , 300 scans/sec, omni-directional	A	\$300

SSD & RAM UPGRADE OPTIONS

MODEL	ITEM CODE	PRODUCT SPECIFICATION	CODE	LIST EX GST
SSD Upgrade	SSDUPGRADE	From 120 GB to 240 GB	A	\$150
		From 120 GB to 480 GB	A	\$300
		From 120 GB to 960 GB	A	\$600
RAM Upgrade	RAMUPGRADE	From 8 GB to 16 GB	A	\$320
		From 8 GB to 32 GB	A	\$640

OPERATING SYSTEM OPTIONS

MODEL	ITEM CODE	PRODUCT SPECIFICATION	CODE	LIST EX GST
Windows 10 IoT 2021	MUU-00027	Windows 10 IoT Enterprise LTSC 2021 Entry (for N95) (pre-installed with Senor drivers) 64 bit	A	\$160
Windows 10 IoT 2021	MUU-00028	Windows 10 IoT Enterprise LTSC 2021 Value (for i3/i5) (pre-installed with Senor drivers) 64 bit	A	\$240
Windows 11 IoT 2024	EP2-07328	Windows 11 IoT Enterprise LTSC 2024 Entry (for N95) (pre-installed with Senor drivers) 64 bit	A	\$160
Windows 11 IoT 2024	EP2-07324	Windows 11 IoT Enterprise LTSC 2024 Value (for i3/i5) (pre-installed with Senor drivers) 64 bit	A	\$240
Windows 11 Pro	WIN11PRO	Windows 11 Professional OEM (pre-installed with Senor drivers) 64 bit	A	\$400

A6POS

A8POS



FEATURES

- **IP66 rated** - water & dust protected
- **4 mm** ultra-slim screen bezel
- **34 mm** thickness aluminium diecast casing
- Fanless and ventless
- Exclusive nanotechnology coating
- VESA mount capable
- Diecast base with 150 degree tilting angle and cable management design
- **15.6" / 18.5" LED backlight screen**
- **On-cell bonding** projected capacitive multi-touch screen
- Full HD 1920 x 1080 resolution
- Intel® Quad Core Celeron N95 or Intel® Hexa Core i7-1255U
- 2 x DDR4 up to 32/64 GB of RAM
- Removable M.2 NVMe SSD

All-in-one a6POS / a8POS point of sale solutions

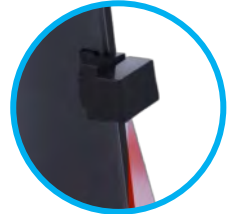
specially designed to meet the demands of harsh environments



15.6" / 18.5" PCT touch ultra-slim screen bezel

Thinner than a pencil!

11.6" / 15.6" customer display (optional)



0-90° tilting 2D barcode reader (optional)



Dual hinge base with cable management design

Full aluminium die-cast casing

VESA mount capable

Cable cover with rubber plugs for IP66 protection

34 mm thickness compact design

Removable M.2 2280 SSD

Waterproof capacitive power switch

Dimensions: 336 (W) x 159 (D) x 302 (H) mm
Weight: 6 kg

Serial Ports	USB Ports	Video Port	LAN Port	Speakers	Audio Ports	DK Port
3 x RJ50	4 x USB 2.0 2 x USB 3.0	1 x HDMI	1 x RJ45	2 x 1 W	1 x 3.5 mm (combined)	1 x RJ12 (12/24 V)

MODEL (15.6")	ITEM CODE	PRODUCT SPECIFICATION	CODE	LIST ex GST
a6POS N116	A6N116PCTX	15.6" PCT, 1920 x 1080 resolution, 300 cd/m² brightness Intel Quad Core N95 1.7 GHz up to 3.4 GHz 8 GB DDR4 RAM, 128 GB removable M.2 NVMe 2242 SSD	A	\$2400
a6POS N316	A6N316PCTX	15.6" PCT, 1920 x 1080 resolution, 300 cd/m² brightness Intel Core i3-N305 1.8 GHz Turbo Boost up to 3.8 GHz 8 GB DDR4 RAM, 128 GB removable NVMe M.2 2242 SSD	A	\$2850
MODEL (18.5")	ITEM CODE	PRODUCT SPECIFICATION	CODE	LIST ex GST
a8POS N118	A8N118PCTX	18.5" PCT, 1920 x 1080 resolution, 300 cd/m² brightness Intel Quad Core N95 1.7 GHz up to 3.4 GHz 8 GB DDR4 RAM, 128 GB removable M.2 NVMe 2242 SSD	A	\$2850
a8POS N318	A8N318PCTX	18.5" PCT, 1920 x 1080 resolution, 300 cd/m² brightness Intel Core i3-N305 1.8 GHz Turbo Boost up to 3.8 GHz 8 GB DDR4 RAM, 128 GB removable NVMe M.2 2242 SSD	A	\$3200

OPTIONS & UPGRADES - a6POS / a8POS SERIES



ACCESSORIES

MODEL	ITEM CODE	PRODUCT SPECIFICATION	CODE	LIST EX GST
Customer Display	M11B-F6A	M11 11.6" glass monitor, resolution 1920 x 1080	A	\$550
	<i>Available soon</i>	M16 15.6" glass monitor, resolution 1920 x 1080	A	\$880
	<i>Available soon</i>	Integrated 2-line VFD customer display	A	\$230
3T MSR Reader	Z-FK2CRS-M0N0A00A	3-track MSR (Magnetic Stripe Reader) card reader	A	\$190
RFID Reader	<i>Available soon</i>	13.56 MHz, USB Virtual COM, read/write	A	\$270
	<i>Available soon</i>	125 kHz, USB, read only	A	\$270
	<i>Available soon</i>	13.56 MHz, USB, read only	A	\$270
2-in-1 3T MSR + RFID Reader	<i>Available soon</i>	3-track MSR + RFID 13.56 MHz, USB VCOM, read/write	A	\$350
	<i>Available soon</i>	3-track MSR + RFID 125 kHz, USB, read only	A	\$350
	Z-FK2CRS-M0R0A00A	3-track MSR + RFID 13.56 MHz, USB, read only	A	\$350
Wireless Kit Set	MK-BKV6AWF05	Integrated 802.11 b/g/n/ac 2T2R wireless LAN + BT 5.0	A	\$160
Integrated 2D Barcode Reader	Z-VISN-S0NAA0	Integrated 2D barcode scanner Kit, angle adjustable 32 bit ARM MCU , 300 scans/sec, omni-directional	A	\$300

SSD & RAM UPGRADE OPTIONS

MODEL	ITEM CODE	PRODUCT SPECIFICATION	CODE	LIST EX GST
SSD Upgrade	SSDUPGRADE	From 120 GB to 240 GB	A	\$150
		From 120 GB to 480 GB	A	\$300
		From 120 GB to 960 GB	A	\$600
RAM Upgrade	RAMUPGRADE	From 8 GB to 16 GB	A	\$320
		From 8 GB to 32 GB	A	\$640

OPERATING SYSTEM OPTIONS

MODEL	ITEM CODE	PRODUCT SPECIFICATION	CODE	LIST EX GST
Windows 10 IoT 2021	MUU-00027	Windows 10 IoT Enterprise LTSC 2021 Entry (for N95) (pre-installed with Senor drivers) 64 bit	A	\$160
Windows 10 IoT 2021	MUU-00028	Windows 10 IoT Enterprise LTSC 2021 Value (for i3/i5) (pre-installed with Senor drivers) 64 bit	A	\$240
Windows 11 IoT 2024	EP2-07328	Windows 11 IoT Enterprise LTSC 2024 Entry (for N95) (pre-installed with Senor drivers) 64 bit	A	\$160
Windows 11 IoT 2024	EP2-07324	Windows 11 IoT Enterprise LTSC 2024 Value (for i3/i5) (pre-installed with Senor drivers) 64 bit	A	\$240
Windows 11 Pro	WIN11PRO	Windows 11 Professional OEM (pre-installed with Senor drivers) 64 bit	A	\$400

iSPOS 10



FEATURES

- **IP66 rated** - water & dust protected
- Aluminium die-cast casing
- Fan-less and vent-less
- Internal power supply unit
- Exclusive nanotechnology coating
- Projected capacitive multi-touch screen
- Desktop / wall-mount / VESA mount
- **10.4" LED backlight screen**
- Resolution 1024 x 768 pixels
- 400 cd/m² brightness
- Intel® Quad Core Celeron J6412 or Intel® Hexa Core i3-1215U
- 1 x DDR4 up to 32 GB of RAM

All-in-one iSPOS 10 point of sale solutions



*Pole is not included

Dimensions: 280 (W) x 165 (D) x 230 (H) mm (Desktop)
 280 (W) x 50 (D) x 345 (H) mm (Wall Mount)
 Weight: 3.0Kg (Desktop)
 2.5Kg (Wall Mount)

Serial Ports	USB Ports	Video Port	LAN Port	Speakers	Wireless LAN	DK Port
2 x D-SUB9	4 x USB 2.0	1 x HDMI	1 x RJ45	2 x 1 W	Optional 1 x 802.11 n	1 x RJ12 (24V)

MODEL	ITEM CODE	PRODUCT SPECIFICATION	CODE	LIST EX GST
iSPOS J610	ISPOSJ610	10.4" LED, 1024 x 768 resolution, 400 cd/m² brightness Intel Quad Core Celeron J6412 2.0 GHz up to 2.6 GHz 8 GB DDR4 RAM, 128 GB M.2 NVMe 2280 SSD	A	\$2200
iSPOS T310 (BY ORDER)	ISPOST310	10.4" LED, 1024 x 768 resolution 400 cd/m² brightness Intel Hexa Core i3-1215U 1.2 GHz Turbo Boost up to 4.4 GHz 8 GB DDR4 RAM, 128 GB M.2 NVMe 2280 SSD	A (BY ORDER)	\$2850

OPTIONS & UPGRADES - iSPOS 10 SERIES



ACCESSORIES

MODEL	ITEM CODE	PRODUCT SPECIFICATION	CODE	LIST EX GST
Wi-Fi Module	MK-CRIFAAYA2	M.2 2230 802.11a/b/g/n/ac 1T1R + BT V4.2	A	\$130
3T MSR Card Reader	Z-IFCR-F70G0AB	3-track MSR (Magnetic Stripe Reader) card reader	A	\$190
RFID Reader	Z-IFCR-00EC0A0	Integrated RFID reader 125KHz (USB) read only	A	\$270

SSD & RAM UPGRADE OPTIONS

MODEL	ITEM CODE	PRODUCT SPECIFICATION	CODE	LIST EX GST
SSD Upgrade	SSDUPGRADE	From 120 GB to 240 GB	A	\$150
		From 120 GB to 480 GB	A	\$300
		From 120 GB to 960 GB	A	\$600
RAM Upgrade	RAMUPGRADE	From 8 GB to 16 GB	A	\$320
		From 8 GB to 32 GB (For i3)	A	\$640

OPERATING SYSTEM OPTIONS

MODEL	ITEM CODE	PRODUCT SPECIFICATION	CODE	LIST EX GST
Windows 10 IoT 2021	MUU-00027	Windows 10 IoT Enterprise LTSC 2021 Entry (for J6412) (pre-installed with Senor drivers) 64 bit	A	\$160
Windows 10 IoT 2021	MUU-00028	Windows 10 IoT Enterprise LTSC 2021 Value (for i3/i5) (pre-installed with Senor drivers) 64 bit	A	\$240
Windows 11 IoT 2024	EP2-07328	Windows 11 IoT Enterprise LTSC 2024 Entry (for J6412) (pre-installed with Senor drivers) 64 bit	A	\$160
Windows 11 IoT 2024	EP2-07324	Windows 11 IoT Enterprise LTSC 2024 Value (for i3/i5) (pre-installed with Senor drivers) 64 bit	A	\$240
Windows 11 Pro	WIN11PRO	Windows 11 Professional OEM (pre-installed with Senor drivers) 64 bit	A	\$400

iSPOS



FEATURES

- **IP66 rated** - water & dust protected
- Aluminium die-cast casing
- Fanless and ventless
- Internal power supply unit
- Exclusive nanotechnology coating
- Senor 5-wire resistive touch screen or projected capacitive multi-touch screen
- 270 degree swivel base
- Senor 5-wire resistive or PCT touch screen or glass screen
- **Resolution 1024 x 768 (15")**
- **Resolution 1280 x 1024 (17")**
- **Resolution 1920 x 1080 (21.5")**
- Intel® Quad Core Celeron J6412 or Intel® Hexa Core i3-1215U
- 2 x DDR4 up to 32/64 GB of RAM
- Removable M.2 NVMe SSD

All-in-one iSPOS point of sale solutions

specially designed to meet the demands of harsh environments



Dimensions: 389 (W) x 232 (D) x 363 (H) mm
 Weight: **8.5 kg (15" iSPOS)**
 Dimensions: 446 (W) x 240 (D) x 388 (H) mm
 Weight: **9.6 kg (17" iSPOS)**

Serial Ports	USB Ports	Video Port	LAN Port	Speakers	Audio Ports	DK Port	PS/2
2 x D-SUB9	1 x Front 3 x Back	1 x HDMI	1 x RJ45	2 x 1 W	1 x 3.5 mm (combined)	1 x RJ12 (12/24 V)	1

MODEL (15")	ITEM CODE	PRODUCT SPECIFICATION	CODE	LIST ex GST
iSPOS 1200	ISPOS1200PCTX	15" PCT, 1024 x 768 resolution, 350 cd/m² brightness Intel Quad Core Celeron J6412 2.0 GHz up to 2.6 GHz 8 GB DDR4 RAM, 128 GB removable M.2 NVMe 2280 SSD	A	\$2400
iSPOS T715	ISPOST715PCT	15" PCT, 1024 x 768 resolution, 350 cd/m² brightness Intel Core i7-1255U 1.7 GHz Turbo Boost up to 4.7 GHz 8 GB DDR4 RAM, 128 GB removable M.2 NVMe 2280 SSD	A	\$3650

MODEL (17")	ITEM CODE	PRODUCT SPECIFICATION	CODE	LIST ex GST
iSPOS 1270 (BY ORDER)	ISPOS1270T	17" resistive, 1280 x 1024 resolution, 350 cd/m² brightness Intel Quad Core Celeron J6412 2.0 GHz up to 2.6 GHz 8 GB DDR4 RAM, 128 GB removable M.2 NVMe 2280 SSD	A (BY ORDER)	\$2700
iSPOS T717 (BY ORDER)	ISPOST717PCT	17" resistive, 1280 x 1024 resolution, 350 cd/m² brightness Intel Core i7-1255U 1.7 GHz Turbo Boost up to 4.7 GHz 8 GB DDR4 RAM, 128 GB removable M.2 NVMe 2280 SSD	A (BY ORDER)	\$3800



Dimensions: 390 (W) x 260 (D) x 470 (H) mm
 Weight: **15 kg (15" ISPOS WP)**
 Dimensions: 446 (W) x 260 (D) x 520 (H) mm
 Weight: **17 kg (17" ISPOS WP)**

Serial Ports	USB Ports	Video Port	LAN Port	Speakers	Audio Port	DK Port	PS/2
2 x D-SUB9	1 x Front 2 x Back	1 x HDMI	1 x RJ45	2 x 1 W	1 x 3.5 mm (combined)	1 x RJ12 (12/24 V)	1

MODEL (15")	ITEM CODE	PRODUCT SPECIFICATION	CODE	LIST EX GST
iSPOS 1200 WP	ISPOS1200PCTWP	15" PCT, 1024 x 768 resolution, 350 cd/m² brightness Intel Quad Core Celeron J6412 2.0 GHz up to 2.6 GHz 8 GB DDR4 RAM, 128 GB removable M.2 NVMe 2280 SSD Built-in TP-250III thermal printer, serial /parallel /USB	A	\$2400
iSPOS T715 WP	ISPOST715PCTWP	15" PCT, 1024 x 768 resolution, 350 cd/m² brightness Intel Core i7-1255U 1.7 GHz Turbo Boost up to 4.7 GHz 8 GB DDR4 RAM, 128 GB removable M.2 NVMe 2280 SSD Built-in TP-250III thermal printer, serial /parallel /USB	A	\$3650

MODEL (17")	ITEM CODE	PRODUCT SPECIFICATION	CODE	LIST EX GST
iSPOS 1270 WP (BY ORDER)	ISPOS1270WP	17" resistive, 1280 x 1024 resolution, 350 cd/m² brightness Intel Quad Core Celeron J6412 2.0 GHz up to 2.6 GHz 8 GB DDR4 RAM, 128 GB removable M.2 NVMe 2280 SSD Built-in TP-250III thermal printer, serial /parallel /USB	A (BY ORDER)	\$2700
iSPOS T717 WP (BY ORDER)	ISPOST717WP	17" resistive, 1280 x 1024 resolution, 350 cd/m² brightness Intel Core i7-1255U 1.7 GHz Turbo Boost up to 4.7 GHz 8 GB DDR4 RAM, 128 GB removable M.2 NVMe 2280 SSD Built-in TP-250III thermal printer, serial /parallel /USB	A (BY ORDER)	\$3800

iSPOS Panel PC solution



*Pole / bracket is not included

Dimensions: 389 (W) x 96 (D) x 334 (H) mm
 Weight: **8.5 kg (15" iSPOS Panel PC)**
 Dimensions: 446 (W) x 118 (D) x 388 (H) mm
 Weight: **9.6 kg (17" iSPOS Panel PC)**

Serial Ports	USB Ports	Video Port	LAN Port	Speakers	Audio Port	DK Port	PS/2
3 x RJ50	1 x Front 4 x Back	1 x HDMI	1 x RJ45	2 x 1 W	1 x 3.5 mm (combined)	1 x RJ12 (12/24 V)	1

MODEL (15")	ITEM CODE	PRODUCT SPECIFICATION	CODE	LIST ex GST
iSPOS 1200 Panel PC	ISPOS1200PCTNB	15" PCT, 1024 x 768 resolution, 350 cd/m² brightness Intel Quad Core Celeron J6412 2.0 GHz up to 2.6 GHz 8 GB DDR4 RAM, 128 GB removable M.2 NVMe 2280 SSD	A	\$2400
iSPOS T715 Panel PC	ISPOST715PCTNB	15" PCT, 1024 x 768 resolution, 350 cd/m² brightness Intel Core i7-1255U 1.7 GHz Turbo Boost up to 4.7 GHz 8 GB DDR4 RAM, 128 GB removable M.2 NVMe 2280 SSD	A	\$3350

MODEL (17")	ITEM CODE	PRODUCT SPECIFICATION	CODE	LIST ex GST
iSPOS 1270 Panel PC (BY ORDER)	ISPOS1270NB	17" resistive, 1280 x 1024 resolution, 350 cd/m² brightness Intel Quad Core Celeron J6412 2.0 GHz up to 2.6 GHz 8 GB DDR4 RAM, 128 GB removable M.2 NVMe 2280 SSD	A (BY ORDER)	\$2700
iSPOS T717 Panel PC (BY ORDER)	ISPOST717NB	17" resistive, 1280 x 1024 resolution, 350 cd/m² brightness Intel Core i7-1255U 1.7 GHz Turbo Boost up to 4.7 GHz 8 GB DDR4 RAM, 128 GB removable M.2 NVMe 2280 SSD	A (BY ORDER)	\$3650

OPTIONS & UPGRADES - iSPOS SERIES



ACCESSORIES

MODEL	ITEM CODE	PRODUCT SPECIFICATION	CODE	LIST EX GST
Resistive touch panel	MK-FRI5MAAAB	Resistive touch panel kit	A	\$0
Customer Display	M9FDC	M9 9.7", IP54, glass, 1024 x 768 (SPOS 1200/1270)	A	\$550
	M15FDC	M15 15", IP54, glass, 1024 x 768 (SPOS 1200/1270)	A	\$880
	Z-I5VD-A3SC000	2-line VFD customer display (IP66 Rated)	A	\$230
3T MSR Card Reader	Z-I2CR-D80C0A0	3-track MSR (Magnetic Stripe Reader) card reader	A	\$190
Smart Card Reader	Z-I5CR-005C0A0	Integrated IC smart card reader (BY ORDER)	A	\$190
RFID Reader	Z-I2CR-00BC0A0	125 kHz, USB, read only	A	\$270
	Z-I2CR-00DC0A0	13.56 MHz, USB Virtual COM, read/write	A	\$270
	Z-I2CR-00HC0A0	13.56 MHz, USB, read only	A	\$270
	Z-I2CR-D6BC0A0	3-track MSR + RFID 125 kHz, USB, read only	A	\$350
2-in-1 3T MSR + RFID Reader	Z-I2CR-D8DC0A0	3-track MSR + RFID 13.56 MHz, USB VCOM, read/write	A	\$350
	Z-I2CR-D8HC0A0	3-track MSR + RFID 13.56 MHz, USB, read only	A	\$350
Fingerprint Reader	Z-I5CR-000C2A0	Fingerprint reader (BY ORDER)	A	\$320
2-in-1 3T MSR + Fingerprint Reader	Z-I2CR-D50C2A0	3-track MSR + Fingerprint Reader (BY ORDER)	A	\$390
Wi-Fi Module	MK-BK00AWFA3	External Wi-Fi 802.11 a/b/g/n 1T1R	A	\$150
	MK-BKISAWF00	Integrated Wi-Fi 802.11 a/b/g/n/ac 2T2R + BT 4.1	A	\$190
iSPOS WP Pedestal	GST-MKS05BN1	With locking plate Dimensions: 460 (W) x 500 (D) x 1000 (H) mm Weight: 10 kg	A	\$950
Pedestal Castors	PDSTCST	Lockable pedestal castor set (4 castors)	A	\$190
WP Printer Cover	GPL-10WP03BN	WP printer cover set (black)	A	\$30

SSD & RAM UPGRADE OPTIONS

MODEL	ITEM CODE	PRODUCT SPECIFICATION	CODE	LIST EX GST
SSD Upgrade	SSDUPGRADE	From 120 GB to 240 GB	A	\$150
		From 120 GB to 480 GB	A	\$300
		From 120 GB to 960 GB	A	\$600
RAM Upgrade	RAMUPGRADE	From 8 GB to 16 GB	A	\$320
		From 8 GB to 32 GB	A	\$640

OPERATING SYSTEM OPTIONS

MODEL	ITEM CODE	PRODUCT SPECIFICATION	CODE	LIST EX GST
Windows 10 IoT 2021	MUU-00027	Windows 10 IoT Enterprise LTSC 2021 Entry (for J6412) (pre-installed with Senor drivers) 64 bit	A	\$160
Windows 10 IoT 2021	MUU-00028	Windows 10 IoT Enterprise LTSC 2021 Value (for i3/i5) (pre-installed with Senor drivers) 64 bit	A	\$240
Windows 11 IoT 2024	EP2-07328	Windows 11 IoT Enterprise LTSC 2024 Entry (for J6412) (pre-installed with Senor drivers) 64 bit	A	\$160
Windows 11 IoT 2024	EP2-07324	Windows 11 IoT Enterprise LTSC 2024 Value (for i3/i5) (pre-installed with Senor drivers) 64 bit	A	\$240
Windows 11 Pro	WIN11PRO	Windows 11 Professional OEM (pre-installed with Senor drivers) 64 bit	A	\$400

Yocto POS



FEATURES

- Projected capacitive touch screen
- 6H degree hardness glass screen
- Aluminium die-cast casing
- Fanless and ventless
- 0-90° flexible tilting angle base with cable management design
- VESA mount capable
- **15" LED backlight screen**
- Intel® Quad Core Celeron J6412 or Intel® Hexa Core i3-1215U
- 2 x DDR4 up to 32 GB of RAM
- Removable M.2 NVMe/SATA SSD

All-in-one Yocto POS point of sale solutions



Dimensions: 374 (W) x 208 (D) x 356 (H) mm
 Weight: 5.3 kg

Serial Ports	USB Ports	LAN Port	Speakers	Audio Port	DK Port
3 x RJ48	5 x USB 2.0, 4 x USB 3.2 (1 x type C) 1 x Powered USB 24V	1 x RJ45	1 x 2 W	1 x 3.5 mm Line out	1 x RJ12 (12/24 V)

MODEL	ITEM CODE	PRODUCT SPECIFICATION	CODE	LIST EX GST
Yocto POS 6400	YOCTO6400PCTX	15" PCT, 1024 x 768 resolution, 350 cd/m² brightness Intel Quad Core Celeron J6412 2.0 GHz up to 2.6 GHz 8 GB DDR4 RAM, 128 GB removable M.2 NVMe 2280 SSD	A	\$2050
Yocto POS T315 (BY ORDER)	YOCTOT315PCTX	15" LED, 1024 x 768 resolution, 350 cd/m² brightness Intel Hexa Core i3-1215U 1.2 GHz Turbo Boost up to 4.4 GHz 8 GB DDR4 RAM, 128 GB removable M.2 NVMe 2280 SSD	A (BY ORDER)	\$2550

OPTIONS & UPGRADES - Yocto POS SERIES



ACCESSORIES

MODEL	ITEM CODE	PRODUCT SPECIFICATION	CODE	LIST EX GST
9.7" Customer Display	YOCTO2ND9G	9.7" glass customer display, resolution 1024 x 768	A	\$550
VFD Customer Display	YOCTOVFD	Integrated VFD (2 x 20 characters)	A	\$230
3T MSR Card Reader	YOCTOMSR	3-track MSR (Magnetic Stripe Reader) card reader	A	\$190
RFID Reader	YOCTORFID-125K	125 kHz, USB Virtual COM, read/write	<i>Available soon</i>	
	YOCTORFID-13.56M	13.56 MHz, USB Virtual COM, read/write	<i>Available soon</i>	
Wi-Fi Module	YOCTOWF	Internal Wi-Fi 802.11 a/b/g/n 2T2R + BT 4.0	<i>Available soon</i>	
Integrated 2D Barcode Reader	YOCTO2DSCANNER	Integrated 2D barcode scanner Kit (BY ORDER)	A	\$400

SSD & RAM UPGRADE OPTIONS

MODEL	ITEM CODE	PRODUCT SPECIFICATION	CODE	LIST EX GST
SSD Upgrade	SSDUPGRADE	From 120 GB to 240 GB	A	\$150
		From 120 GB to 480 GB	A	\$300
		From 120 GB to 960 GB	A	\$600
RAM Upgrade	RAMUPGRADE	From 8 GB to 16 GB	A	\$320
		From 8 GB to 32 GB	A	\$640

OPERATING SYSTEM OPTIONS

MODEL	ITEM CODE	PRODUCT SPECIFICATION	CODE	LIST EX GST
Windows 10 IoT 2021	MUU-00027	Windows 10 IoT Enterprise LTSC 2021 Entry (for J6412) (pre-installed with Senor drivers) 64 bit	A	\$160
Windows 10 IoT 2021	MUU-00028	Windows 10 IoT Enterprise LTSC 2021 Value (for i3/i5) (pre-installed with Senor drivers) 64 bit	A	\$240
Windows 11 IoT 2024	EP2-07328	Windows 11 IoT Enterprise LTSC 2024 Entry (for J6412) (pre-installed with Senor drivers) 64 bit	A	\$160
Windows 11 IoT 2024	EP2-07324	Windows 11 IoT Enterprise LTSC 2024 Value (for i3/i5) (pre-installed with Senor drivers) 64 bit	A	\$240
Windows 11 Pro	WIN11PRO	Windows 11 Professional OEM (pre-installed with Senor drivers) 64 bit	A	\$400

Hecto POS



FEATURES

- Projected capacitive touch screen
- Aluminium diecast casing & base
- Fanless and ventless
- Magnetic cable management cover
- VESA mount capable
- Supports Windows 11 or Android 11
- **15"/15.6" LED backlight screen**
- Intel® Quad Core Celeron J6412 or ARM Cortex Quad Core A55
- 1 x DDR4 up to 32 GB of RAM (J615)
- **Removable SATA 2.5" SSD (J615)**
- VGA display port (J615)

All-in-one Hecto POS point of sale solutions



15" Bezel-less PCT



Removable SSD



9.7" customer display (optional)



VESA mount capability*



Magnetic cable cover for easy cable management

Aluminium die-cast casing & base

*Pole / bracket is not included

Dimensions: 374 (W) x 208 (D) x 356 (H) mm
Weight: 6.0 kg

Serial Ports	USB Ports	Video Port	LAN Port	Speakers	Audio Port	DK Port
3 x RJ50	4 x USB 3.0 (J615)	1 x VGA (J615)	1 x RJ45	2 x 2 W	1 x 3.5 mm Combined	1 x 24V GPIO controlled

MODEL	ITEM CODE	PRODUCT SPECIFICATION	CODE	LIST EX GST
Hecto POS J615	HECTOJ615XPCT	15" TFT LCD, projected capacitive touch screen Intel Quad Core Celeron J6412 2.0 GHz up to 2.60 GHz 8 GB DDR4 RAM, 128 GB removable SATA 2.5" SSD	A	\$1750

OPTIONS & UPGRADES - Hecto POS SERIES

ACCESSORIES

MODEL	ITEM CODE	PRODUCT SPECIFICATION	CODE	LIST EX GST
9.7" Customer Display	NXMON2ND9	9.7" glass customer display, resolution 1024 x 768 with bracket to mount onto Hecto POS J615 (USB interface, no VGA cable & PSU required)	A	\$530
VFD Customer Display	HECTOVFD	Integrated VFD (2 x 20 characters)	A	\$230
3T MSR Card Reader	HECTOMSRD	Dual head bi-directional 3-track MSR card reader	A	\$190
RFID Reader	HCCTORFID05	125 kHz + 13.56 MHz dual frequency, read only	A	\$240
	HCCTORFID07	13.56 MHz, USB Virtual COM, read/write	A	\$240
Wi-Fi Module	HECTOWF	Internal Wi-Fi module with dual antenna 802.11 a/b/g/n 2T2R + BT 4.0	A	\$110
Fingerprint Reader	HECTOFPN		A	\$320

SSD & RAM UPGRADE OPTIONS

MODEL	ITEM CODE	PRODUCT SPECIFICATION	CODE	LIST EX GST
SSD Upgrade	SSDUPGRADE	From 120 GB to 240 GB	A	\$150
		From 120 GB to 480 GB	A	\$300
		From 120 GB to 960 GB	A	\$600
RAM Upgrade	RAMUPGRADE	From 8 GB to 16 GB	A	\$320
		From 8 GB to 32 GB	A	\$640

OPERATING SYSTEM OPTIONS

MODEL	ITEM CODE	PRODUCT SPECIFICATION	CODE	LIST EX GST
Windows 10 IoT 2021	MUU-00027	Windows 10 IoT Enterprise LTSC 2021 Entry (pre-installed with Senor drivers) 64 bit	A	\$160
Windows 11 IoT 2024	EP2-07328	Windows 11 IoT Enterprise LTSC 2024 Entry (pre-installed with Senor drivers) 64 bit	A	\$160
Windows 11 Pro	WIN11PRO	Windows 11 Professional OEM (pre-installed with Senor drivers) 64 bit	A	\$400

KDS



KDS 1200/1270



KDS J64/T321

FEATURES

- Specially designed to meet the demands of harsh environments
- Aluminium die-cast casing
- Exclusive Nano-technology coating
- **IP66 rated** - water & dust protected
- Internal power supply unit
- Fanless and ventless
- Senor 5-wire resistive or PCT touch screen or glass screen
- **Resolution 1024 x 768 (15")**
- **Resolution 1280 x 1024 (17")**
- **Resolution 1920 x 1080 (21.5")**
- Intel® Quad Core Celeron J6412 or Intel® Hexa Core i3-1215U
- DDR4 up to 32/64 GB of RAM
- Removable M.2 NVMe SSD

All-in-one KDS kitchen display system

specially designed to meet the demands of harsh environments



*Pole / bracket is not included

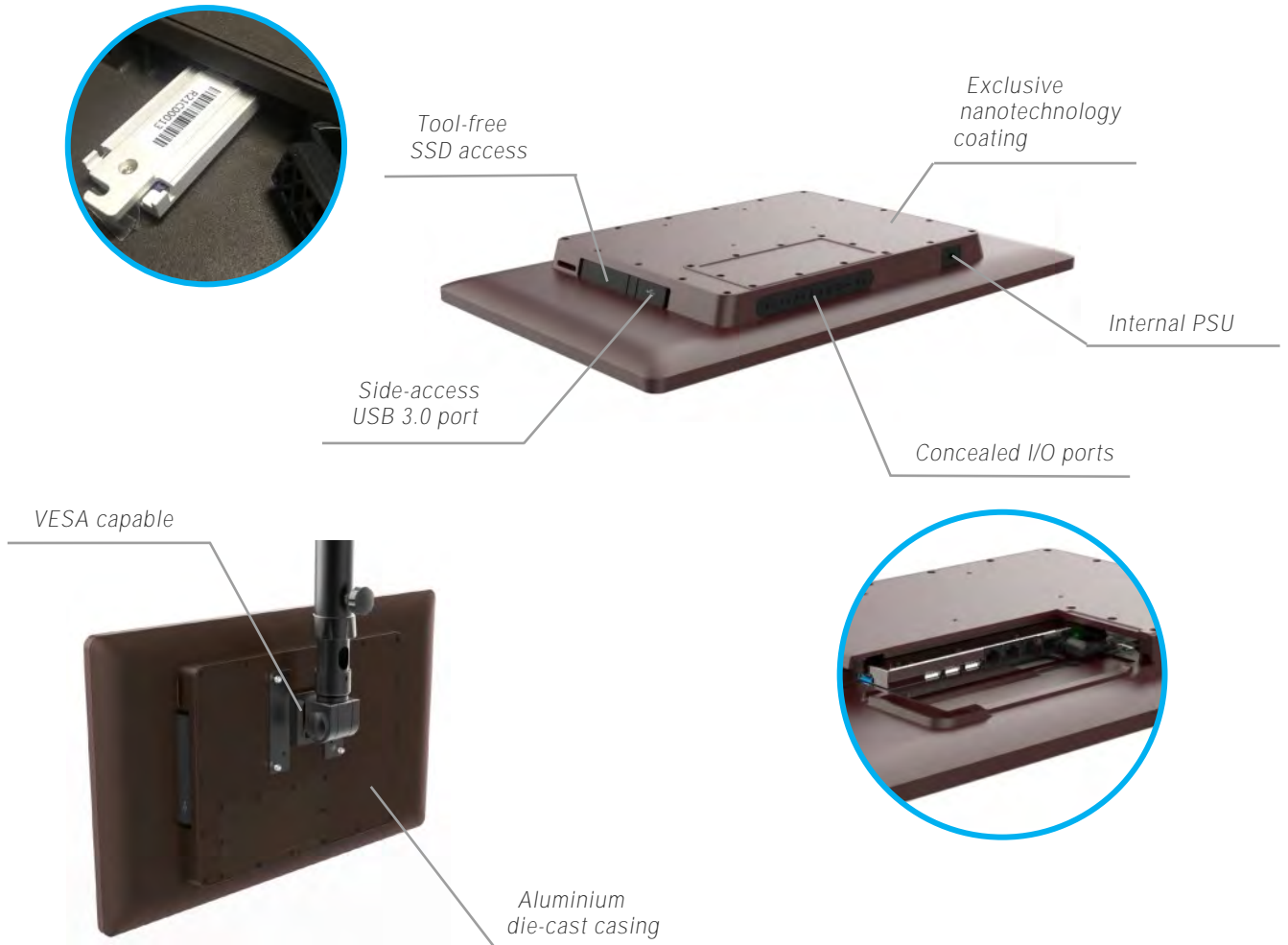
Dimension: **389 (W) x 96 (D) x 334 (H) mm (15")**
Weight: 8.5 kg
Dimension: **446 (W) x 118 (D) x 388 (H) mm (17")**
Weight: 9 kg

Serial Ports	USB Ports	Video Port	LAN Port	Speakers	Audio Port	DK Port
3 x RJ50	3 x USB 3.0 2 x USB 2.0	1 x HDMI	1 x RJ45	2 x 1 W	1 x 3.5 mm (combined)	1 x RJ12 (12/24 V)

MODEL	ITEM CODE	PRODUCT SPECIFICATION	CODE	LIST ex GST
KDS 1200	KDS1200G	15" TFT LED, safety glass non-touch screen	A	\$2200
	KDS1200T	15" TFT LED, Senor 5-wire resistive touch screen	A	\$2350
	KDS1200PCT	15" TFT LED, projected capacitive touch screen	A	\$2400
		1024 x 768 resolution, 350 cd/m ² brightness Intel Quad Core Celeron J6412 2.0 GHz up to 2.6 GHz 8 GB DDR4 RAM, 128 GB removable M.2 NVMe 2280 SSD		
KDS J617 (BY ORDER)	KDSJ617T	17" TFT LED, Senor 5 wire resistive touch screen 1280 x 1024 resolution, 350 cd/m ² brightness Intel Quad Core Celeron J6412 2.0 GHz up to 2.6 GHz 8 GB DDR4 RAM, 128 GB removable M.2 NVMe 2280 SSD	A	\$2700

All-in-one KDS kitchen display system

specially designed to meet the demands of harsh environments



*Pole / bracket is not included

Dimension: 519 (W) x 46 (D) x 322 (H) mm
Weight: 8.0 kg

Serial Ports	USB Ports	Video Port	LAN Port	Speakers	DK Port
2 x RJ50	1 x USB 3.0 (Side) 3 x USB 2.0 (Back)	1 x HDMI	1 x RJ45	2 x 2 W	1 x RJ12

MODEL	ITEM CODE	PRODUCT SPECIFICATION	CODE	LIST ex GST
KDS J64	KDSJ64XPCT	21.5" TFT LED PCT touch screen, whole unit IP66 certified 1920 x 1080 resolution, 300 cd/m ² brightness Intel Quad Core Celeron J6412 2.0 GHz up to 2.6 GHz 8 GB DDR4 RAM, 128 GB removable M.2 NVMe 2280 SSD	A	\$3000
KDS T321	KDST321XPCT	21.5" TFT LED PCT touch screen, whole unit IP66 certified 1920 x 1080 resolution, 300 cd/m ² brightness Intel Hexa Core i3-1215U 1.2 GHz Turbo Boost up to 4.4 GHz 8 GB DDR4 RAM, 128 GB removable M.2 NVMe 2280 SSD	A	\$3500

ACCESSORIES & UPGRADE OPTIONS

MODEL	ITEM CODE	PRODUCT SPECIFICATION	CODE	LIST EX GST
Wi-Fi Module	MK-BKISAWF00	Integrated 802.11 b/g/n/ac 2T2R wireless LAN + BT 5.0 (for KDS1200/1270)	A	\$130
	S-WFFFBK02200	Integrated 802.11 b/g/n/ac 2T2R wireless LAN + BT 5.0 (for KDS J64/T321)	A	\$160
MSR Module	V-GCR213UUB00	Dual head, dual directional, triple track, USB interface with mounting bracket (for KDS J64/T321)	A	\$270
SSD Upgrade	SSDUPGRADE	From 120 GB to 240 GB	A	\$150
		From 120 GB to 480 GB	A	\$300
		From 120 GB to 960 GB	A	\$600
RAM Upgrade	RAMUPGRADE	From 8 GB to 16 GB	A	\$320
		From 8 GB to 32 GB	A	\$640

OPERATING SYSTEM OPTIONS

MODEL	ITEM CODE	PRODUCT SPECIFICATION	CODE	LIST EX GST
Windows 10 IoT 2021	MUU-00027	Windows 10 IoT Enterprise LTSC 2021 Entry (for J6412) (pre-installed with Senor drivers) 64 bit	A	\$160
Windows 10 IoT 2021	MUU-00028	Windows 10 IoT Enterprise LTSC 2021 Value (for i3/i5) (pre-installed with Senor drivers) 64 bit	A	\$240
Windows 11 IoT 2024	EP2-07328	Windows 11 IoT Enterprise LTSC 2024 Entry (for J6412) (pre-installed with Senor drivers) 64 bit	A	\$160
Windows 11 IoT 2024	EP2-07324	Windows 11 IoT Enterprise LTSC 2024 Value (for i3/i5) (pre-installed with Senor drivers) 64 bit	A	\$240
Windows 11 Pro	WIN11PRO	Windows 11 Professional OEM (pre-installed with Senor drivers) 64 bit	A	\$400

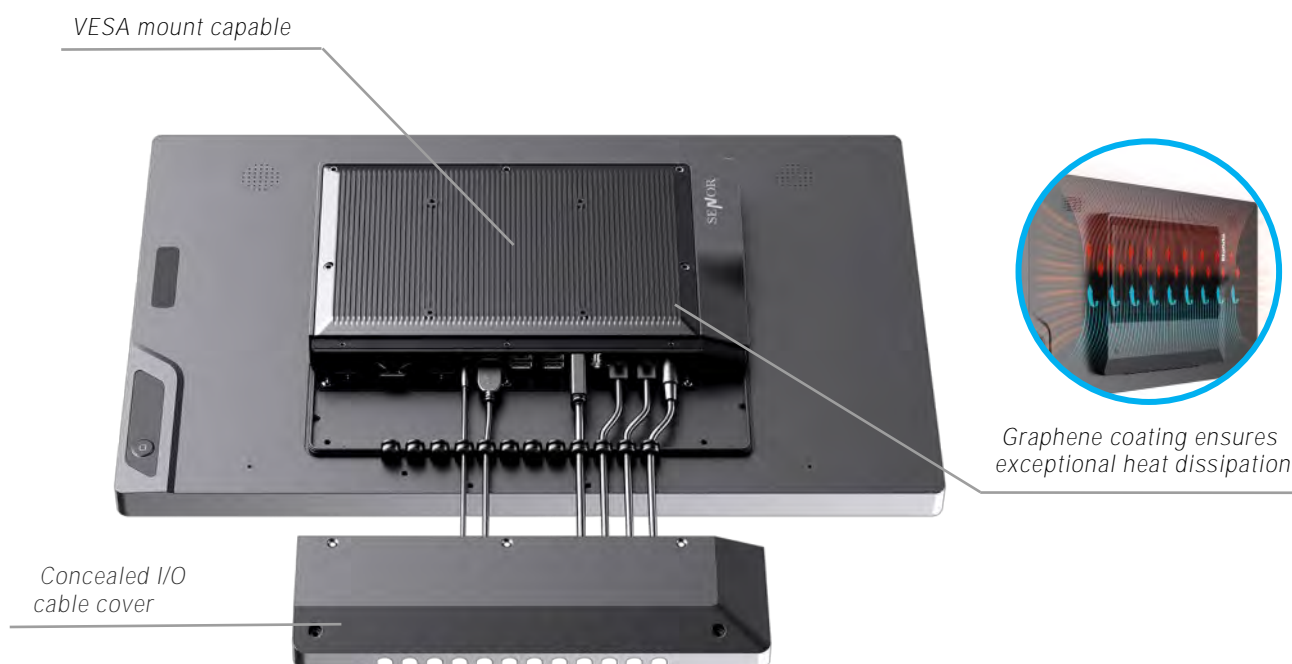
Peta POS



FEATURES

- Full flat screen all-in-one design
- Projected capacitive multi-touch screen
- Fan-less & vent-less with graphene coating
- IP55 rated on whole unit
- Windows 11 or Android 14 with Google Play
- VESA mount capable
- **21.5" TFT LED backlight LCD**
- Full HD resolution 1920 x 1080
- 350 cd brightness
- Intel Quad Core N95 or ARM Octa Core Cortex-A72 + A53
- DDR4 8GB RAM

All-in-one Peta POS point of sale solutions



Dimensions: 536 (W) x 54 (D) x 329 (H) mm
Weight: 6.5 kg (without base)

Serial Ports	USB Ports	Video Port	LAN Port	Speaker	Bluetooth	Wireless LAN
2 x RJ50 (N122)	3 x USB 2.0 + 1 x USB 3.0 (A522) 4 x USB 3.0 + 1 x USB-C DP Alt. (N122)	1 x HDMI	1 x RJ45	2 x 2 W	5.0 (A522)	802.11 b/g/n/ac (A522)

MODEL	ITEM CODE	PRODUCT SPECIFICATION	CODE	LIST EX GST
Peta POS A522	PETAA522	21.5" TFT LCD, projected capacitive touch Screen ARM Quad Core Cortex-A55 (RK3576) up to 2.2 GHz 8 GB DDR4 RAM, 64 GB eMMC, Android 14 with Google Play	A	\$1900
Peta POS N122	PETAN122	21.5" TFT LCD, projected capacitive touch Screen Intel Quad Core N95 up to 3.4 GHz 8 GB DDR4 RAM, 128 GB M.2 NVMe 2280 SSD	A	\$2200

ACCESSORIES & UPGRADE OPTIONS

Heavy duty dual hinge base	SM-09A	Diecast aluminium dual hinge base	A	\$160
SSD Upgrade	SSDUPGRADE	From 120 GB to 240 GB (for N95)	A	\$150
RAM Upgrade	RAMUPGRADE	From 8 GB to 16 GB (for N95)	A	\$320
Windows 10 IoT 2021	MUU-00027	Windows 10 IoT Enterprise LTSC 2021 Entry (for N95) (pre-installed with Senor drivers) 64 bit	A	\$160
Windows 11 IoT 2024	EP2-07328	Windows 11 IoT Enterprise LTSC 2024 Entry (for N95) (pre-installed with Senor drivers) 64 bit	A	\$160
Windows 11 Pro	WIN11PRO	Windows 11 Professional OEM (pre-installed with Senor drivers) 64 bit	A	\$400

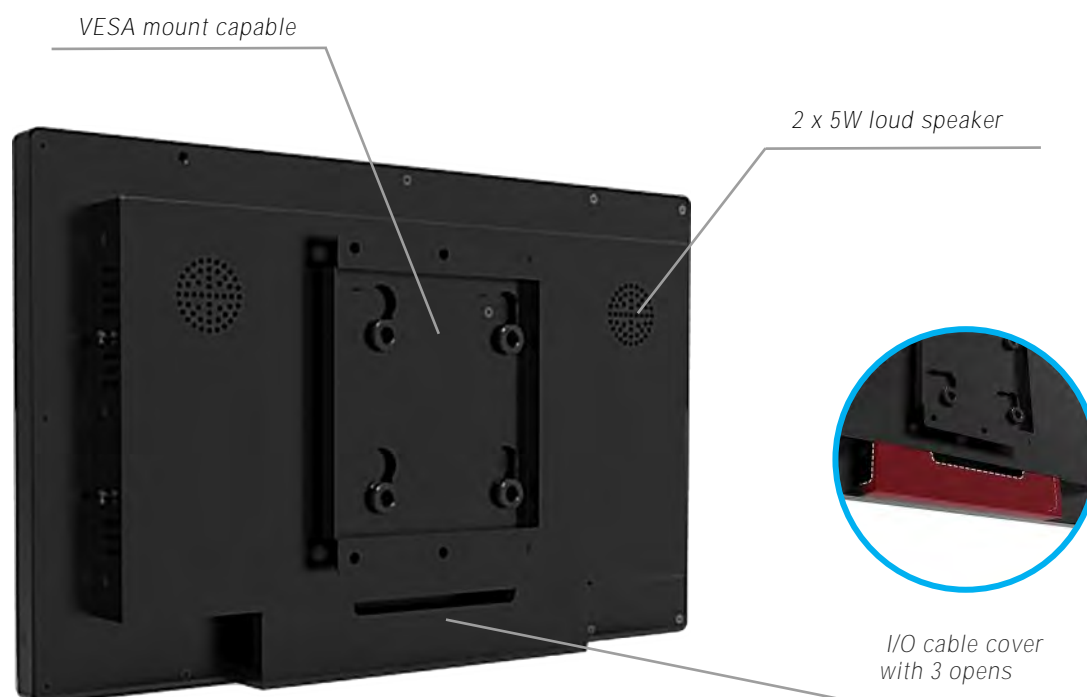
Exa POS



FEATURES

- Full flat screen design
- Projected capacitive multi-touch screen
- Fan-less & Vent-less
- Windows 11 (J627) or Android 11 (A527)
- VESA mount capable
- **27" TFT LED backlight LCD**
- Full HD resolution 1920 x 1080
- Intel Quad Core Celeron J6412 or ARM Quad Core Cortex-A55
- 1 x DDR4 up to 32 GB of RAM (J627)
- DDR4 4GB RAM 32 GB eMMC (A527)

All-in-one Exa POS point of sale solutions



Dimensions: 650 (W) x 56 (D) x 388 (H) mm
Weight: 8.5 kg

Serial Ports	USB Ports	Video Port	LAN Port	Speaker	Bluetooth	Wireless LAN
1 x RJ50 (J621)	2 x USB 2.0 2 x USB 3.0	1 x HDMI (A521)	1 x RJ45	2 x 2 W	4.2 (A521)	802.11 b/g/n (A521)

MODEL	ITEM CODE	PRODUCT SPECIFICATION	CODE	LIST EX GST
Exa POS A527 (BY ORDER)	EXAA527	27" TFT LCD, projected capacitive touch Screen ARM Quad Core Cortex-A55 (RK3568) up to 2.0 GHz 4 GB DDR4 RAM, 32 GB eMMC, Android 11 with Google Play	A (BY ORDER)	\$2700
Exa POS J627 (BY ORDER)	EXAJ627	27" TFT LCD, projected capacitive touch Screen Intel Quad Core Celeron J6412 2.0 GHz up to 2.6 GHz 8 GB DDR4 RAM, 128 GB SATA 2.5" SSD	A (BY ORDER)	\$3000

ACCESSORIES & UPGRADE OPTIONS

SSD Upgrade	SSDUPGRADE	From 120 GB to 240 GB (for J6412)	A	\$150
RAM Upgrade	RAMUPGRADE	From 8 GB to 16 GB (for J6412)	A	\$320
Windows 10 IoT 2021	MUU-00027	Windows 10 IoT Enterprise LTSC 2021 Entry (pre-installed with Senor drivers) 64 bit	A	\$160
Windows 11 IoT 2024	EP2-07328	Windows 11 IoT Enterprise LTSC 2024 Entry (pre-installed with Senor drivers) 64 bit	A	\$160
Windows 11 Pro	WIN11PRO	Windows 11 Professional OEM (pre-installed with Senor drivers) 64 bit	A	\$400

Touch Screen Monitor & Customer Facing Display



*KDM
Touch Monitor*



*nXMON
Touch Monitor*



*NXMON
Customer Display*

nXMON touch screen monitor

Specially designed for retail and hospitality industries



Dimension: 340 (W) x 390 (H) x 188 (D) mm
Weight: 6.5 kg

FEATURES

- **15" PCT multi-touch screen**
- Heavy duty aluminum diecast base
- Cable management design
- Integrated MSR (optional)
- **9.7" customer display (optional)**
- **15" TFT LED backlight screen**
- Resolution 1024 x 768 pixels
- 300 cd/m² brightness
- VESA mount capability

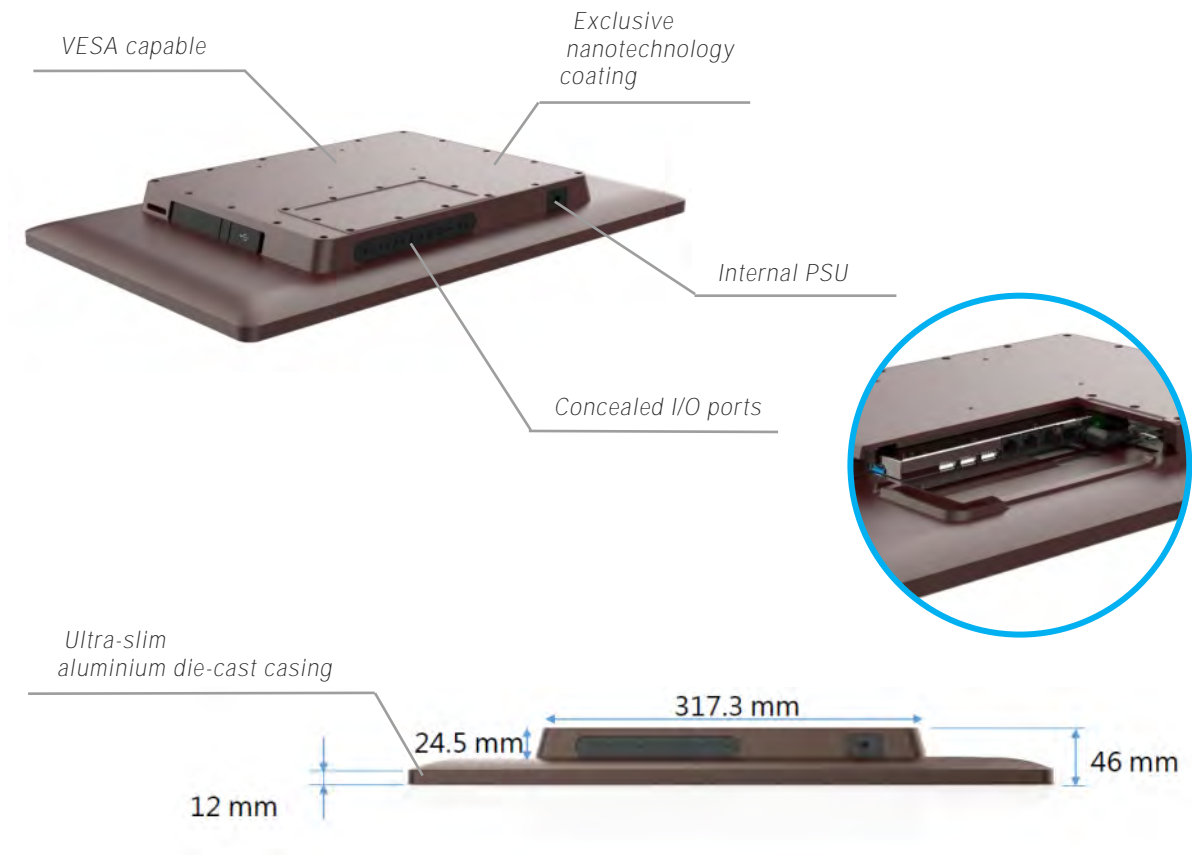
MODEL	ITEM CODE	PRODUCT SPECIFICATION	CODE	LIST EX GST
NXMON 15	NXMON15TH	15" TFT LCD, PCT multi-touch screen 1024 x 768 resolution, 300 cd/m ² brightness VGA + HDMI interface, USB touch VESA mount 75 mm x 75 mm	A	\$1300

ACCESSORIES & UPGRADE OPTIONS

MODEL	ITEM CODE	PRODUCT SPECIFICATION	CODE	LIST EX GST
MSR Card Reader	NXMONMSR	Integrated 3 tracks magnetic stripe card reader	A	\$190
9.7" Customer Display	NXMON2ND9	9.7" glass customer display, resolution 1024 x 768 (USB interface, no PSU required)	A	\$550
12 Months Additional Warranty	LTD002	12 months additional warranty (total 24 months)	A	\$100
24 Months Additional Warranty	LTD036	24 months additional warranty (total 36 months)	A	\$200

KDM touch screen monitor

Specially designed to meet the demands of harsh environments



Dimension: 519 (W) x 46 (D) x 322 (H) mm
 Weight: 8.0 kg

FEATURES

- Bezel-less PCT touch screen
- Ultra-slim aluminium die-cast casing
- **IP66 rated** - water & dust protected
- Concealed I/O ports and power supply
- Exclusive nanotechnology coating
- **21.5" multi-touch** screen
- Resolution 1920 x 1080 pixels
- 300 cd/m² brightness
- Supports HDMI, Display Port & VGA
- VESA mount capability

MODEL	ITEM CODE	PRODUCT SPECIFICATION	CODE	LIST EX GST
KDM 21T	KDM21T	21.5" TFT LED PCT touch screen, whole unit IP66 certified 1920 x 1080 resolution, 300 cd/m ² brightness 3 years warranty	A	\$1900

NXMON customer display
Specially designed for retail and hospitality industries



FEATURES

- One USB cable (Type C to A) for power and signal, no PSU required
- Slim design
- Windows driver included
- **9.7" / 11.6" TFT LED backlight**
- 75 / 100 VESA bracket (optional)
- 1 year warranty

MODEL	ITEM CODE	PRODUCT SPECIFICATION	CODE	LIST EX GST
9.7" NXMON	NXMON2ND9	9.7" TFT LED backlight LCD, Resolution 1024 x 768 pixels USB interface (Type C at screen end, Type A at PC end)	A	\$480
11.6" NXMON	NXMON2ND11	11.6" TFT LED backlight LCD, Resolution 1024 x 768 pixels USB interface (Type C at screen end, Type A at PC end)	A	\$480

Point-Of-Service Solutions



X5 Mini Kiosk



Miki Stand



Senki Stand



Gemini 21 Kiosk

FEATURES

- Modularised design for easy maintenance
- Integrated thermal printer (optional)
- Integrated 2D barcode scanner (optional)
- Designed to integrate with most EFTPOS terminals
- Freestanding, desktop or wall mount type to suit most applications
- Bolt to the floor or moveable with castors

X5 Mini KIOSK SOLUTIONS

Specially designed for compact spaces



Dimensions: 255 (W) x 220 (D) x 495 (H) mm
Weight: 4.5 kg (without printer)

Serial Ports	USB Ports	Video Port	LAN Port	Speakers	Audio Port	DK Port
2 x RJ50	5 x USB 2.0 1 x USB 3.0	N/A	1 x RJ45	2 x 2 W	N/A	1 x RJ12 (12/24 V)

MODEL	ITEM CODE	PRODUCT SPECIFICATION	CODE	LIST ex GST
X5S J616K (BY ORDER)	X5S J616K	15.6" PCT touch, 1920 x 1080 resolution, 300 cd/m² brightness Intel Quad Core Celeron J6412 2.0 GHz up to 2.60 GHz 8 GB DDR4 RAM, 128 GB removable NVMe M.2 2280 SSD	A	\$3500
X5S T316K (BY ORDER)	X5S T316K	15.6" PCT touch, 1920 x 1080 resolution, 300 cd/m² brightness Intel Hexa Core i3-1215U 1.2 GHz Turbo Boost up to 4.4 GHz 8 GB DDR4 RAM, 128 GB removable M.2 NVMe 2280 SSD	A	\$4000

OPTIONS & UPGRADES - X5 Mini



ACCESSORIES

MODEL	ITEM CODE	PRODUCT SPECIFICATION	CODE	LIST EX GST
3T MSR Reader	Z-XSCR-M4M0A00	3-track MSR (1+2+3) card reader	A	\$200
RFID Reader	Z-XSCR-F0R0A00A	13.56 MHz, USB Virtual COM, read/write, operator side	A	\$290
	Z-XSCR-F0R3A00A	125 kHz, USB read only, operator side	A	\$290
Wireless Kit Set	S-WFFFBK02200	Internal Wi-Fi 802.11 a/b/g/n/ac 2T2R + BT 5.0	A	\$190
Integrated 2D Barcode Reader	X5K-2D	Integrated 2D barcode scanner Kit, angle adjustable	A	\$300
Printer Module	TP-228USE	80 mm thermal paper, 260 mm/sec, auto-cutter with dedicated printer cover	A	\$350
Universal EFTPOS Holder	KIOSK-EFTPOS	Adjustable grip and security clamp suits most of the EFTPOS terminals, size 185 x 90 x 4 mm	A	\$110
Freestanding pedestal	*SPECIAL ORDER*	Dimensions: 215 (W) x 450 (D) x 806 (H) mm Weight: 6.5 kg	A	\$1100
Lockable castors	KIOSK-CASTORS	4 x swivel, lockable rubber castors 50/75/100 mm diameters	A	\$190

SSD & RAM UPGRADE OPTIONS

MODEL	ITEM CODE	PRODUCT SPECIFICATION	CODE	LIST EX GST
SSD Upgrade	SSDUPGRADE	From 120 GB to 240 GB	A	\$150
		From 120 GB to 480 GB	A	\$300
		From 120 GB to 960 GB	A	\$600
RAM Upgrade	RAMUPGRADE	From 8 GB to 16 GB	A	\$320
		From 8 GB to 32 GB	A	\$640

OPERATING SYSTEM OPTIONS

MODEL	ITEM CODE	PRODUCT SPECIFICATION	CODE	LIST EX GST
Windows 10 IoT 2021	MUU-00027	Windows 10 IoT Enterprise LTSC 2021 Entry (for J6412) (pre-installed with Senor drivers) 64 bit	A	\$160
Windows 10 IoT 2021	MUU-00028	Windows 10 IoT Enterprise LTSC 2021 Value (for i3/i5) (pre-installed with Senor drivers) 64 bit	A	\$240
Windows 11 IoT 2024	EP2-07328	Windows 11 IoT Enterprise LTSC 2024 Entry (for J6412) (pre-installed with Senor drivers) 64 bit	A	\$160
Windows 11 IoT 2024	EP2-07324	Windows 11 IoT Enterprise LTSC 2024 Value (for i3/i5) (pre-installed with Senor drivers) 64 bit	A	\$240
Windows 11 Pro	WIN11PRO	Windows 11 Professional OEM (pre-installed with Senor drivers) 64 bit	A	\$400

Miki KIOSK STAND

Modularized flexible design to suit most applications



MODEL	ITEM CODE	PRODUCT SPECIFICATION	CODE	LIST EX GST
Miki Countertop Stand	MIKI-DT	310 (W) x 310 (D) x 537 (H) mm, 9.9 kg	A	\$470
Miki Freestanding Stand	MIKI-FS	540 (W) x 370 (D) x 1365 (H) mm, 18.5 kg	A	\$630
Miki iPad Pro Casing	MIKI-IPAD129C	Enclosure/Case for iPad 12.9", 75 x 75 mm VESA	A	\$340
Universal EFTPOS Holder	KIOSK-EFTPOS	Adjustable grip and security clamp suits most of the EFTPOS terminals, size 185 x 90 x 4 mm	A	\$110
Miki Printer Cover	MIKI-PC	For Senor TP-228 printer only	A	\$30
MSR Module	V-GCR213UUB00	Dual head, dual directional, triple track, USB interface with mounting bracket (for KDS J64/T321)	A	\$270
2D Barcode Module	S-FM2DV2	CMOS image reader, mobile screen supported with dedicated mounting bracket	A	\$300
Printer Module	TP-228USE	80 mm thermal paper, 260 mm/sec, auto-cutter with dedicated mounting bracket	A	\$350
Lockable Castors	KIOSK-CASTORS	4 x swivel, lockable rubber castors 50/75/100 mm diameters	A	\$190

Senki KIOSK STAND

Modularized flexible design to suit most applications



MODEL	ITEM CODE	PRODUCT SPECIFICATION	CODE	LIST EX GST
Senki Countertop Stand	SENKI-DT	500 (W) x 350 (D) x 779 (H) mm, 29 kg	A	\$950
Senki Freestanding Stand	SENKI-FS	555 (W) x 375 (D) x 1394 (H) mm, 45 kg	A	\$1100
Universal EFTPOS Holder	KIOSK-EFTPOS	Adjustable grip and security clamp suits most of the EFTPOS terminals, size 185 x 90 x 4 mm	A	\$110
MSR Module	V-GCR213UUB00	Dual head, dual directional, triple track, USB interface with mounting bracket (for KDS J64/T321)	A	\$270
2D Barcode Reader Module	S-MM2D	32 bit ARM MCU + DSP, 300 scans/sec 1D/2D compatible, omni-directional scanning	A	\$300
Printer Module	TP-228USE	80 mm thermal paper, 260 mm/sec, auto-cutter with dedicated mounting bracket	A	\$350
Lockable Castors	KIOSK-CASTORS	4 x swivel, lockable rubber castors 50/75/100 mm diameters	A	\$190

Sureki 21 KIOSK SOLUTIONS

Specially designed shorter overall height to suit most counters



Dimensions: 500 (W) x 315 (D) x 495 (H) mm
Weight: 27 kg (without peripherals)

MODEL	ITEM CODE	PRODUCT SPECIFICATION	CODE	LIST EX GST
Sureki KDM21 Countertop Kiosk	SUREKI-KDM	21.5" TFT LCD, projected capacitive touch screen 1920 x 1080 resolution, 225 cd/m ² brightness (touch screen only)	A	\$2700
Sureki N122 Countertop Kiosk	SUREKI-PETAN122	Intel Quad Core N95 1.7 GHz up to 3.4 GHz 8 GB DDR4 RAM, 128 GB M.2 NVMe 2280 SSD	A	\$3350
Sureki T321 Countertop Kiosk	SUREKI-KDST321	Intel Hexa Core i3-1215U 1.2 GHz up to 4.4 GHz 8 GB DDR4 RAM, 128 GB M.2 NVMe 2280 SSD	A	\$4600

INTEGRATED MODULE & OPTIONS

MODEL	ITEM CODE	PRODUCT SPECIFICATION	CODE	LIST EX GST
MSR Module	V-GCR213UUB00	Dual head, dual directional, triple track, USB interface with mounting bracket	A	\$270
2D Barcode Reader Module	S-MM2D	32 bit ARM MCU + DSP, 300 scans/sec 1D/2D compatible, omni-directional scanning	A	\$300
Printer Module	TP-228USE	80 mm thermal paper, 260 mm/sec, auto-cutter with dedicated mounting bracket	A	\$350
Universal EFTPOS Holder	KIOSK-EFTPOS	Adjustable grip and security clamp suits most of the EFTPOS terminals, size 185 x 90 x 4 mm	A	\$110
Windows 10 IoT 2021	MUU-00027	Windows 10 IoT Enterprise 2021 Entry (for N95) (pre-installed with Senor drivers) 64 bit	A	\$160
Windows 10 IoT 2021	MUU-00028	Windows 10 IoT Enterprise 2021 Value (for i3/i5) (pre-installed with Senor drivers) 64 bit	A	\$240
Windows 11 Pro	WIN11PRO	Windows 11 Professional OEM (pre-installed with Senor drivers) 64 bit	A	\$400

Gemini 21 KIOSK SOLUTIONS

Modularized flexible design to suit most applications



*NUC is not included

MODEL	ITEM CODE	PRODUCT SPECIFICATION	CODE	LIST EX GST
Gemini 21 Freestanding Kiosk	GEMINI21FS	21.5" TFT LCD, projected capacitive touch screen 1920 x 1080 resolution, 225 cd/m ² brightness	A	\$3650
Gemini 21 Wall Mount Kiosk	GEMINI21WM	Dimensions: 500 (W) x 500 (D) x 1710 (H) mm Weight: 60 kg (Gemini 21 FS)	A	\$3500
Gemini 21 Countertop Kiosk	GEMINI21DT	Dimensions: 460 (W) x 400 (D) x 1015 (H) mm Weight: 48 kg (Gemini 21 DT)	A	\$3350

INTEGRATED MODULE & OPTIONS

MODEL	ITEM CODE	PRODUCT SPECIFICATION	CODE	LIST EX GST
Upgrade to J6412 AIO	GEMINI-KDSJ64	Intel Quad Core Celeron J6412 2.0 GHz up to 2.6 GHz 8 GB DDR4 RAM, removable M.2 NVMe 2280 SSD	A	\$1400
Upgrade to i3 AIO	GEMINI-KDST321	Intel Hexa Core i3-1215U 1.2 GHz up to 4.4 GHz 8 GB DDR4 RAM, removable M.2 NVMe 2280 SSD	A	\$2050
2D Barcode Reader Module	S-MM2D	32 bit ARM MCU + DSP, 300 scans/sec 1D/2D compatible, omni-directional scanning	A	\$300
Printer Module	TP-228USE	80 mm thermal paper, 260 mm/sec, auto-cutter	A	\$350
MSR Module	V-GCR213UUB00	Dual head, dual directional, triple track, USB interface with mounting bracket	A	\$270
Universal EFTPOS Holder	KIOSK-EFTPOS	Adjustable grip and security clamp suits most of the EFTPOS terminals, size 185 x 90 x 4 mm	A	\$110

POS Peripherals



Printers



drawers



Barcode scanners



Tablet Stand



*Mounting pole
& brackets*

THERMAL POS PRINTERS

High printing speed, reliable and silent



TP-100II

- Direct thermal printing
- 80 mm x 80 mm thermal paper roll
- Fast printing speed 250 mm/sec
- Auto paper cutter with tear bar
- Built-in print alarm buzzer
- Support logo and graphic printing
- Support OPOS driver
- Support Virtual COM (Reckon compatible)
- Dimensions: 145 (W) x 204 (D) x 146 (H) mm



Applications:

- Receipt
- Kitchen
- Coupon
- Barcode
- Ticket
- Lottery System

Supported Printing Languages:

- English
- Traditional Chinese
- Simplified Chinese
- Korean
- Japanese

MODEL	ITEM CODE	PRODUCT SPECIFICATION	CODE	LIST Ex GST
TP-100II USE	TP-100IIUSE	80 mm thermal paper, 250 mm/sec, auto-cutter, metal chassis, USB + Serial + Ethernet interface	A	\$240

THERMAL POS PRINTERS

High printing speed, reliable and silent



TP-228

- Direct thermal printing
- 80 mm x 80 mm thermal paper roll
- Fast printing speed 260 mm/sec
- Dual blade cutter with tear bar
- Built-in print alarm buzzer
- 4 MB RAM, 4 MB Flash ROM
- Support logo and graphic printing
- Support 2D Barcode printing: PDF417, QR-Code
- Support Windows, OPOS, JPOS, Linux driver
- Support Android, iOS SDK
- Support Traditional/Simplified Chinese, Korean, Japanese
- 2 years RTB warranty
- Dimensions: 135 (W) x 132 (D) x 132 (H) mm



Large gears for low noise printing



Durable dual blade cutter



Two paper near end sensors for different direction paper feeding



USB + Serial + Ethernet + DK port
Optional Bluetooth & Wi-Fi

MODEL	ITEM CODE	PRODUCT SPECIFICATION	CODE	LIST ex GST
TP-228 USE	TP-228USE	80 mm thermal paper, 260 mm/sec, auto-cutter, metal chassis, dual blade cutter, front/upward printing USB + Serial + Ethernet interface	A	\$320
TP-228 USEBW	TP-228USEBW	Direct thermal, dual blade cutter, front/upward printing USB + Serial + Ethernet + Bluetooth + Wi-Fi interface	A	\$400

THERMAL POS PRINTERS

Designed for high-traffic retail/hospitality



TP-250III

- Direct thermal printing
- 80 mm x 80 mm thermal paper roll
- Fast printing speed 250 mm/sec
- Auto paper cutter with tear bar
- Built-in print alarm buzzer
- Wall mount function available
- 8 MB RAM, 4 MB Flash ROM
- Support logo and graphic printing
- Two-colour printing (on special paper)
- Support 2D Barcode printing: PDF417, QR-Code
- Support OPOS driver, JPOS driver, Linux & Mac
- Support API/SDK tool
- 3 years RTB warranty
- Dimensions: 145 (W) x 204 (D) x 146 (H) mm

Applications:

- Receipt
- Kitchen
- Coupon
- Barcode
- Ticket
- Lottery System

Supported Printing Languages:

- English
- Traditional Chinese
- Simplified Chinese
- Korean
- Japanese

MODEL	ITEM CODE	PRODUCT SPECIFICATION	CODE	LIST EX GST
TP-250III Ethernet	P-250IIIEBB1N	Direct thermal, auto-cutter, USB + Ethernet interface	A	\$590
TP-250III Serial	P-250IIISBB2N	Direct thermal, auto-cutter, USB + Serial interface	A	\$490
TP-250III Parallel	P-250IIIPBB3N	Direct thermal, auto-cutter, USB + Parallel interface	A	\$490
TP-250III USB	P-250IIIUBB4N	Direct thermal, auto-cutter, USB interface Only	A	\$450
TP-250III SPC	GTP-250SCV	TP-250III printer splash proof cover	A	\$60
TP-250III WMB	GTP-25005	TP-250III wall mount bracket	A	\$60

DOT MATRIX POS PRINTER

Specially recommended for environments such as kitchens



Supports
continuous printing



USB + Serial
+ Ethernet + DK port

Internal PSU

DP-330

- Serial impact printing
- Fast printing speed 4.7 LPS (Lines Per Second)
- Auto paper cutter with tear bar
- Built-in power supply
- Built-in print alarm buzzer
- Wall mount function available
- 128 KB NV memory, 8 KB receive buffer
- 95 alpha numeric character set
- Support Windows, OPOS, JPOS, Linux driver
- Support Windows, OPOS, JPOS & Linux SDK
- ERC-30/34/38 black/red ribbon
- Paper roll spec:
width 76 ± 0.5 mm, diameter 83 mm
Total thickness 0.05 ~ 0.14 mm
* Triple ply paper may be used but is not recommended
- Dimensions: 160 (W) x 245 (D) x 154 (H) mm

Applications:

- Receipt
- Kitchen
- Ticket
- Multiple copies
- Retail

Supported Printing Languages:

- English
- Traditional Chinese
- Simplified Chinese
- Korean
- Japanese

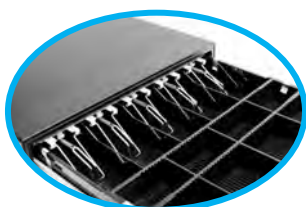
MODEL	ITEM CODE	PRODUCT SPECIFICATION	CODE	LIST Ex GST
DP-330	DP-330USE	Serial impact, auto-cutter with tear bar, metal chassis USB + Serial + Ethernet interface, internal power supply	A	\$520
GRC-88	GRC-88B/BR	Epson ERC 30/34/38 ribbon compatible, 5 metre length	A	\$8

CASH DRAWERS

Heavy Duty, reliable and stable



CC-4141 Heavy Duty Cash Drawer



- Heavy duty rigid structure
- Brushed stainless steel front panel
- Removable insert
- Adjustable coin section
- 5 notes/8 coins compartments
- Durable metal note gripper & nylon rollers
- 2 media slots (for cheques or credit slips)
- 3 positions key lock
- Emergency opening
- 12 V/24 V solenoid with RJ12 connector
- Dimensions: 410 (W) x 415 (D) x 100 (H) mm

EC-4141 Economic Cash Drawer



- Heavy duty rigid structure
- Powder coated front panel
- NON-removable insert
- Adjustable coin section
- 5 notes/8 coins compartments
- Durable metal note gripper & nylon rollers
- 2 media slots (for cheques or credit slips)
- 3 positions key lock
- Emergency opening
- 12 V/24 V solenoid with RJ12 connector
- Dimensions: 410 (W) x 415 (D) x 100 (H) mm

MODEL	ITEM CODE	PRODUCT SPECIFICATION	CODE	LIST EX GST
CC-4141 24V	CC-4141V24	Stainless steel front panel, 5 notes / 8 coins, RJ12	A	\$140
CC-4141 12V	CC-4141V12	2 media slots, metal note gripper, removable insert		
EC-4141 24V	EC-4141V24	Powder coated front panel, 5 notes / 8 coins, RJ12	A	\$120
EC-4141 12V	EC-4141V12	2 media slots, metal note gripper, NON-removable insert		

ACCESSORIES OPTIONS

MODEL	ITEM CODE	PRODUCT SPECIFICATION	CODE	LIST EX GST
CC-4141 Insert Tray	CD4141INS	Spare insert (black) for CC-4141	A	\$60
Under Counter Mounting Bracket	UCMB-4141	For CC-4141 / KC-4646 Non-stackable	A	\$60

CASH DRAWERS

Heavy Duty, reliable and stable

MC-3540 Compact Cash Drawer



- Heavy duty rigid structure
- Brushed stainless steel front
- Durable metal note gripper & nylon rollers
- 4 notes/8 coins compartments
- Removable and adjustable coin section
- 2 media slots (for cheques or credit slips)
- 3 positions key lock
- Emergency opening
- 12 V/24 V solenoid with RJ12 connector
- Dimensions: 410 (W) x 415 (D) x 100 (H) mm

CC-4617 Flip Top Cash Drawer



- Space-saving flip top design
- Brushed stainless steel top lid
- 5+1 notes/8 coins (vertical note compartments)
- Removable insert with lockable lid
- Adjustable coin section
- 1 media slot (for cheques or credit slips)
- 3 positions key lock
- 12 V/24 V solenoid with RJ12 connector
- Dimensions: 460 (W) x 170 (D) x 100 (H) mm

MODEL	ITEM CODE	PRODUCT SPECIFICATION	CODE	LIST EX GST
MC-3540 24V	MC-3540V24	Stainless steel front, 4 notes/8 coins, RJ12, 2 media slots, metal note gripper	A	\$160
MC-3540 12V	MC-3540V12			
CC-4617 24V	CC-4617V24	Stainless steel top, 5+1 notes/8 coins, RJ12, 1 media slot, vertical note compartments	A	\$180
CC-4617 12V	CC-4617V12			

ACCESSORIES OPTIONS

MODEL	ITEM CODE	PRODUCT SPECIFICATION	CODE	LIST EX GST
CC-4617 Insert Tray	C4617INS	Spare insert (black) for CC-4617	A	\$60
CC-4617 Insert Lid	CC4617LID	Lockable insert lid for CC-4617	A	\$60

HANDHELD BARCODE SCANNER

High scanning speed and accuracy



*Optional stand

S-HH2DV2 handheld 2D image reader

- Coded USB interface
- CMOS global shutter sensor, 640 X 480 resolution
- 1D/2D compatible, omni-directional scanning
- **32 bit ARM MCU + DSP**, 100 scans/sec
- Auto-sensing / continuous / manual scanning
- **Electronic screen friendly**
- 40 mm to 150 mm scanning distance, 5 mil resolution
- Roll 360°, Pitch ± 55°, Yaw ± 55° scanning angle
- 165 mm (L) x 68 mm (W) x 92 mm (H)



S-BT2DV3 wireless 2D image reader

- 2.4GHz wireless (via charging dock) or Bluetooth v4.0 connection, 40 meter range (non-obstacle)
- CMOS global shutter sensor, 1280 x 800 resolution
- 1D/2D compatible, omni-directional scanning
- Cross LASER aiming, supports precision scanning from crowded barcodes
- **32 bit ARM MCU + DSP**, 200 scans/sec
- 512 KB storage (stores 40000 scans of EAN13 barcodes)
- **Electronic screen friendly**
- 10 mm to 400 mm scanning distance, 4 mil resolution
- USB charging dock included (does NOT support fast charging)
- 158 mm (L) x 73 mm (W) x 90 mm (H) (without dock)

MODEL	ITEM CODE	PRODUCT SPECIFICATION	CODE	LIST EX GST
Handheld 2D Scanner	S-HH2DV2	Coded USB interface, CMOS shutter sensor, omni-directional, supports auto-scan, Electronic screen friendly	A	\$130
Handheld BT 2D Scanner	S-BT2DV3	2.4 GHz wireless/Bluetooth connection, CMOS shutter sensor, omni-directional, up to 30,000 scans per charge	A	\$290
Scanner Stand	ST-HH2D	Angle adjustable stand for HH1D & HH2D scanners	A	\$25

HANDS-FREE BARCODE SCANNER

High scanning speed and accuracy



S-FM2DV2 2D image reader

- CMOS global shutter sensor, 640*480 resolution, USB interface
- 1D/2D compatible, omni-directional scanning
- 32 bit ARM MCU + DSP, 200 scans/sec
- Auto-sensing/continuous/manual scanning
- Electronic screen friendly
- Supports Android SDK
- 40 mm to 150 mm scanning distance, 5 mil resolution
- Roll 360°, Pitch ± 65°, Yaw ± 60° scanning angle
- 26 mm (H) x 70 mm (D) x 50 mm (W)



S-HF2DV2 hands-free 2D image reader

- CMOS sensor, 1280*800 resolution, USB interface
- 32 bit ARM MCU + DSP, 200 scans/sec
- 1D/2D compatible, omni-directional scanning, continuous scanning
- Physical button to switch illumination light on/off
- Electronic screen scanning supported
- 10 mm to 500 mm scanning distance, 4 mil resolution
- Roll 360°, Pitch ± 43°, Yaw ± 58° scanning angle
- 147 mm (H) x 86 mm (D) x 90 mm (W)



S-DT2D presentation 2D image reader

- Planar CMOS sensor, 1280*1024 resolution, USB interface
- 32 bit ARM MCU + DSP, 500 scans/sec
- 1D/2D compatible, omni-directional scanning, continuous scanning
- Physical button switch to 1D only or 1D/2D compatible mode
- Electronic screen scanning supported
- 0 mm to 500 mm scanning distance, 5 mil resolution
- Roll 360°, Pitch ± 45°, Yaw ± 45° scanning angle
- 152 mm (W) x 146 mm (H) x 76 mm (D)

MODEL	ITEM CODE	PRODUCT SPECIFICATION	CODE	LIST EX GST
Fix mount 2D scanner	S-FM2DV2	CMOS barcode reader, 32 bit ARM MCU, 200 scans/sec,	A	\$300
Hands-free 2D scanner	S-HF2DV2	CMOS barcode reader, 32 bit ARM MCU, 200 scans/sec,	A	\$265
Desktop 2D scanner	S-DT2D	CMOS barcode reader, 32 bit ARM MCU + DSP, 500 scans/s	A	\$400

TABLET MOUNTING SOLUTIONS

Stylish and flexible

FlexiPOS tablet stand



tPOS tablet stand



MODEL	ITEM CODE	PRODUCT SPECIFICATION	CODE	LIST EX GST
FlexiPOS stand	FLEXIMOUNT	1 stand + 1 bracket, available in black / silver	A	\$270
FlexiPOS bracket only	FLEXIBRK	Extra second bracket, available in black / silver	A	\$80
tPOS stand	TMOUNTS	1 stand + 1 bracket, silver	A	\$110

VESA MOUNTING SOLUTIONS

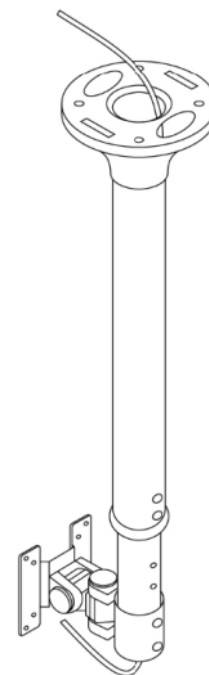
Ceiling & wall mounting kits



Height adjustable from
600 mm to 1060 mm

8730B Ceiling Mount

- Firm fixture onto ceilings or benchtops
- Adjustable length 660 mm up to 1060 mm (per 100 mm)
- Adjustable screen tilt & swivel
- Hold units up to 20 kg
- VESA 75 x 75 and 100 x 100 mm

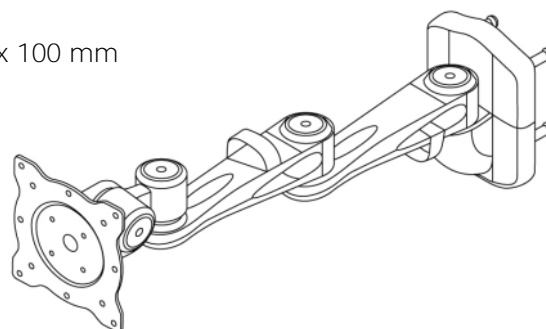


262BS Swing Arm

- Mount units onto the wall with a 45cm long adjustable aluminum die-cast arm
- Adjustable screen tilt & swivel
- Holds units up to 15kg
- VESA 75 x 75 and 100 x 100 mm



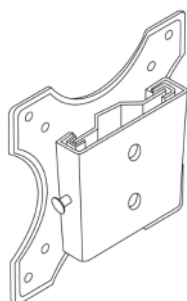
Extends from wall 450 mm



MODEL	ITEM CODE	PRODUCT SPECIFICATION	CODE	LIST EX GST
8730B Ceiling	GPU-8730B	Ceiling/Bench Top Mount, Tilt & Swivel	A	\$185
262BS Swing Arm	GPU-262BS	Wall Mount Swing Arm, Tilt & Swivel	A	\$145

VESA MOUNTING SOLUTIONS

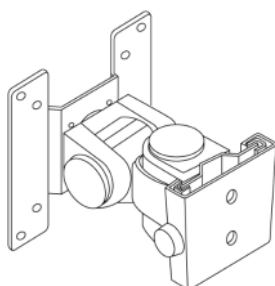
Ceiling & wall mounting kits



Distance from wall 15 mm

1150C Wall Mount Bracket

- Near flat wall mounting
- Firm fixture onto walls
- Holds units up to 12kg
- VESA 75 x 75 and 100 x 100 mm



Distance from wall 130 mm

WM117B Wall Mount Bracket

- Deluxe wall mounting
- Adjustable screen tilt & swivel
- Firm fixture onto walls
- Holds units up to 12kg
- VESA 75 x 75 and 100 x 100 mm

MODEL	ITEM CODE	PRODUCT SPECIFICATION	CODE	LIST EX GST
1150C Wall Mount	GPU-1150C	Flat wall mount	A	\$60
WM117B Wall Mount	PU-WM117B	Wall mount bracket, tilt & swivel	A	\$90

POLE MOUNTING SOLUTIONS

Benchtop pole mounting kits

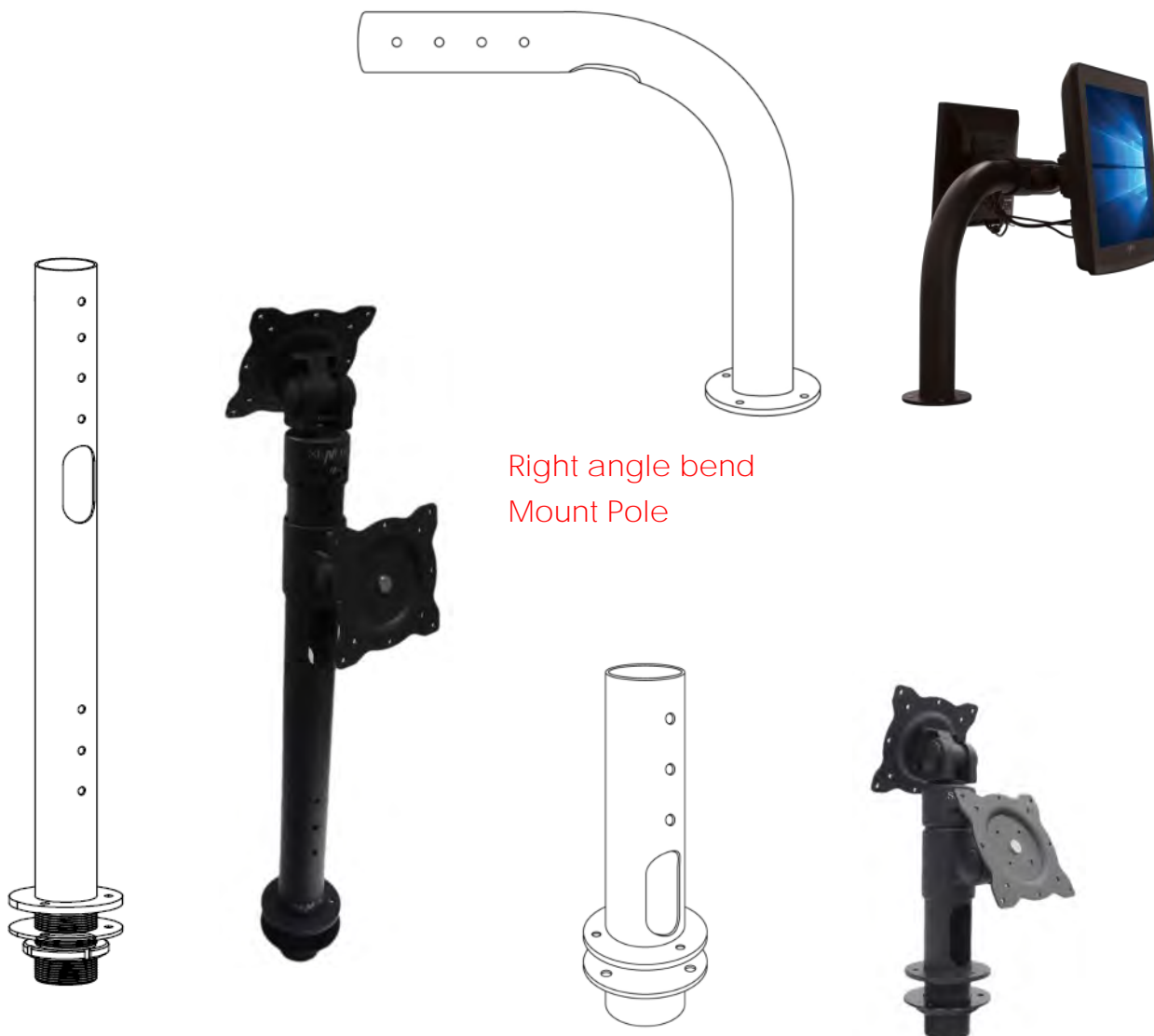
Max Mount series pole mounting kit

- Firm fixture onto benchtops
- Holds units up to 12 kg on each screen bracket
- VESA 75 x 75 mm and 100 x 100 mm
- Length from benchtop 530 mm



POLE MOUNTING SOLUTIONS

Benchtop pole mounting kits



Right angle bend
Mount Pole

Max Mount Pole

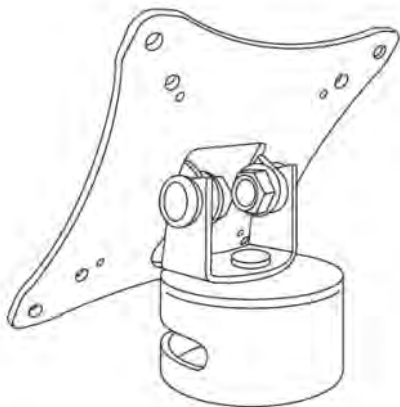
Mini Mount Pole

**VESA bracket is not included*

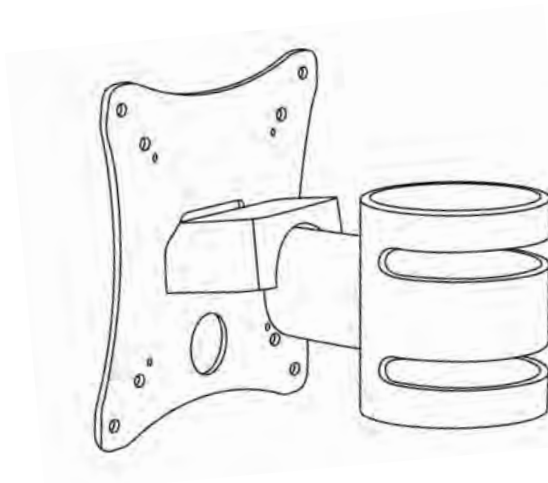
MODEL	ITEM CODE	PRODUCT SPECIFICATION	CODE	LIST EX GST
Mini Mount Pole	MINIPOLE	Pole length 246 mm, height from bench 186 mm diameter 50 mm	A	\$90
Max Mount Pole	MAXPOLE	Pole length 600 mm, height from bench 540 mm diameter 50 mm	A	\$100
Right Angle Bend Mount Pole	S-PUFFAA010A0	Pole length 650 mm, width: 370 mm, height: 340 mm diameter 50 mm	A	\$120

POLE MOUNTING SOLUTIONS

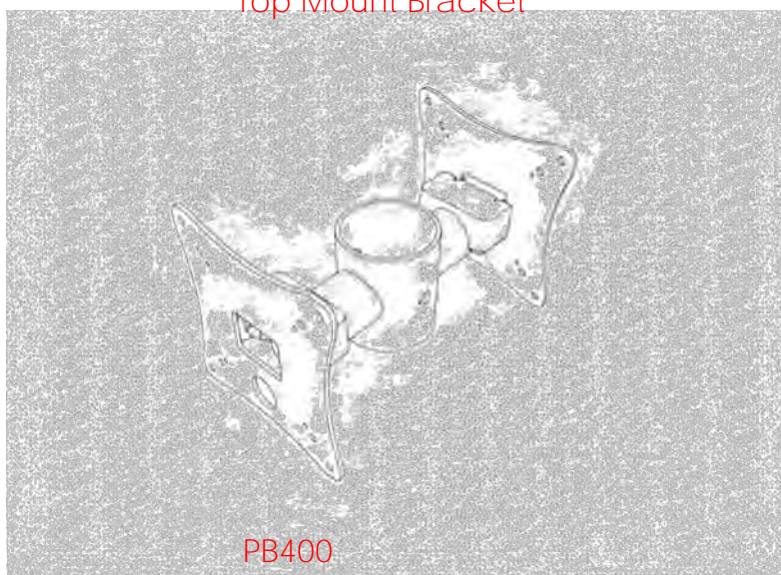
Benchtop pole mounting kits



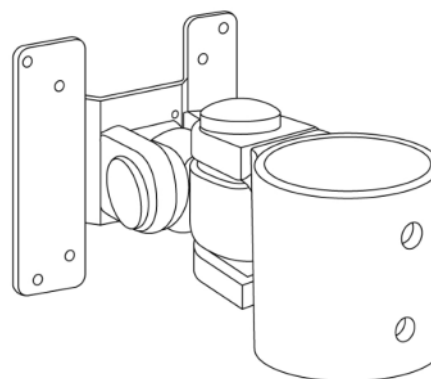
PB100
Top Mount Bracket



PB200
Pole Mount Bracket



PB400
Double Sided Bracket

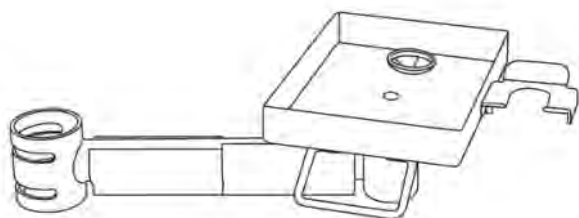


66B400
Swing & Swivel Bracket

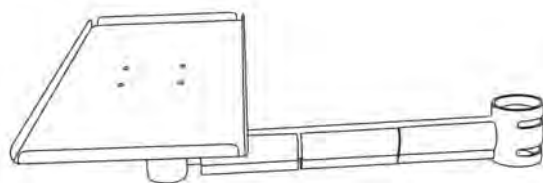
MODEL	ITEM CODE	PRODUCT SPECIFICATION	CODE	LIST EX GST
Top Mount Bracket	PB100	72 degree tilt + 360 degree rotation VESA 75 x 75 and 100 x 100 mm	A	\$70
Pole Mount Bracket	PB200	90 degree tilt + 180 degree swing VESA 75 x 75 and 100 x 100 mm	A	\$70
Double sided Pole Mount Bracket	PB400	Back to back double sided, 90 degree tilt VESA 75 x 75 and 100 x 100 mm	A	\$70
Wide Angle Pole Mount Bracket	GPU-66B400	180 degree tilt & swivel + 360 degree rotation VESA 75 x 75 and 100 x 100 mm	A	\$70

POLE MOUNTING SOLUTIONS

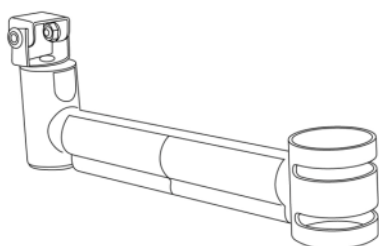
Benchtop pole mounting kits



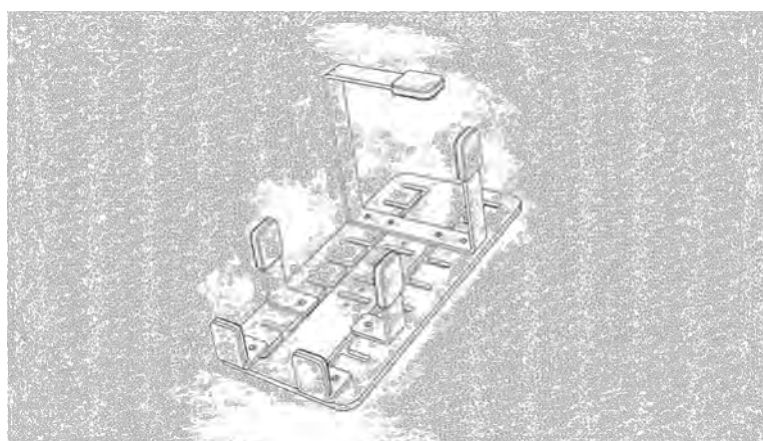
PB300
Printer Carrier with Scanner
Holder



PB500
Keyboard Carrier



PB600
EFTPOS Swing Arm



Universal
EFTPOS Holder

MODEL	ITEM CODE	PRODUCT SPECIFICATION	CODE	LIST EX GST
PB300 Printer Carrier	PB300	Arm 180 degree swing, length approx. 335 mm Carrier 360 degree rotation, size 154 x 204 x 31 mm	A	\$90
PB500 Keyboard Carrier	GPU-61B499V2	Arm 180 degree swing, length approx. 424 mm Carrier 360 degree rotation, size 504 x 204 x 12 mm	A	\$60
PB600 EFTPOS Swing Arm	PB600	Works with Spacepole or SENOR Universal EFTPOS holder. Arm 180 degree swing, length approx. 335 mm Holder 180 degree tilt, 360 degree rotation	A	\$90
Universal EFTPOS Holder	KIOSK-EFTPOS	Adjustable grip and security clamp suits most of the EFTPOS terminals, size 185 x 90 x 4 mm	A	\$110

EXTERNAL DEVICES & ACCESSORIES

MODEL	ITEM CODE	PRODUCT SPECIFICATION	CODE	LIST EX GST
External Finger Print Reader (BY ORDER)	V-GST450UB00	External finger print reader (digital persona) USB interface	A	\$320
External Triple Track Card Reader	V-GCR213UUB00	Dual head, dual directional, triple track, USB interface	A	\$240
External RFID Reader	V-GCR310UUB00	External RFID reader 13.56MHz (USB, virtual COM port) read/write	A	\$270
	AST-272ERR	External RFID reader 125KHz/134.2KHz/13.56MHz (USB/virtual COM port) read/write	A	\$240
Wrist Band	V-GRF4100FB00	RFID wristband 125 kHz read only, black buckle watch	A	\$10
	V-GRF4100FB01	RFID wristband 125 kHz read only, black Velcro strap watch	A	\$10
	V-GRF4100FD01	RFID wristband 125 kHz read only, dark blue silicone watch, OD 65 mm	A	\$10
	V-GRF4100FL00	RFID wristband 125 kHz read only, light blue silicone watch , OD 76 mm	A	\$10
	WB-RFS50-2	RFID wristband 13.56 MHz read only, black buckle watch	A	\$10
	002-WB-RFS50	RFID wristband 13.56 MHz read only, black Velcro strap watch	A	\$10
	ID Card (MiFare S50)	002-CR-RFS50	RFID clerk log-on ID card (MiFare S50)	A



EXTENDED WARRANTY

Add-on to Standard 3 Years Return to Base (RTB) Warranty*

POS SYSTEMS*

ITEM CODE	PRODUCT SPECIFICATION	CODE	LIST EX GST
ADD12MTHS	1 Additional Year RTB Warranty, includes Parts & Labour Total: 4 Years RTB Warranty	A	\$250
ADD24MTHS	2 Additional Year RTB Warranty, includes Parts & Labour Total: 5 Years RTB Warranty	A	\$500

Note: All warranty extensions must be purchased with the original purchase of the unit, no extensions are available after the initial purchase

PREVENTIVE MAINTENANCE SERVICE

ITEM CODE	PRODUCT SPECIFICATION	CODE	LIST EX GST
PMCRTB	Preventive Maintenance Service Return to Base Includes: system clean up, health check, burn-in test, touch calibration, install observer & professional advise on essential parts replacement. Recommended on the 4th Year.	A	\$240
PMCONSITE	Preventive Maintenance Service Onsite Includes: system clean up, health check, burn-in test, touch calibration, install observer & professional advise on essential parts replacement. Recommended on the 4th Year.	A	CALL

ONSITE WARRANTY

Add-on to Standard 3 Years Return to Base (RTB) Warranty*

POS SYSTEMS*

ITEM CODE	PRODUCT SPECIFICATION	CODE	LIST EX GST
ONSITE	Per Year Onsite Warranty from Registration Date Major Cities (Up to 4 Hours Response) Monday-Friday, 9:00am to 5:00pm [50km Radius]	A	\$200

Note: All Onsite Warranty must be purchased with the original purchase of the unit, plus the extension warranty where the standard RTB warranty years is exceeded; not available after the initial purchase

Standard Warranty	Three (3) Years RTB	Two (2) Years RTB	One (1) Year RTB
Models	POS Machines / Tablets X series V series K series A series iS series Yocto series Hecto series KDS series rSPC series Monitors AMON series VMON series XMON series KDM Kiosks X5 Mini series Sureki 21 series Gemini 21 series Printers TP-250III series (including WP version) SSD/RAM Purchased together with the above POS Machines and KDS Accessories (MSR, VFD, RFID, Wi-Fi) Purchased together with the above units Parts & Accessories for the above	Printers DP-330 series TP-228 series Parts & Accessories for the above	POS Machines / Tablets Exa POS series NanoPAD series HPC series XPC series RPC series Printers TP-100 series Monitors nXMON NXMON All Scanners All Drawers All Scales Parts & Accessories for the above
Extended Warranty	Up to an additional Two (2) Years RTB	N/A	Up to an additional Two (2) Years RTB
Models	As above. *Maximum Total RTB Warranty is 5 Years		nXMON NXMON *Maximum Total RTB Warranty is 3 Years
On-Site Service	Up to Five (5) Years	N/A	Up to Three (3) Years
Models	As above. *Extended Parts & Labour Warranty must be purchased alongside the fourth and fifth Onsite Years		nXMON NXMON *Extended Parts & Labour Warranty must be purchased alongside the second and third Onsite Years

TERMS AND CONDITIONS

SENIOR VICTORIAN DISTRIBUTOR & SALES

Unique Micro Design Pty Ltd (UMD)

Street: 1/200 Wellington Road, Clayton, Vic, 3168

Delivery: Rear Unit 1, 200 Wellington Road (Enter via Garden Rd), Clayton, Vic, 3168

E: sales@umd.com.au

T: (03) 9582-7000

SALES TERMS AND CONDITIONS

Unique Micro Design (UMD) Sales Terms and Conditions, can be found here:

https://www.umd.com.au/ftp/pub/D21-02_UMD_Sales_Terms_&_Conditions.pdf

PRICES and SPECIFICATIONS

All prices and specifications are subject to change without notice and are quoted in Australian Dollars, excluding GST, insurance, freight and installation charges unless stated otherwise.

UMD / Senor Tech may vary pricing in line with any movement in exchange rate, purchase price or any other factor considered as significant by Senor Tech.

WARRANTY

Warranty ranges from 12 months to 36 months on all hardware items. Please refer to the Senor Tech Limited Warranty Terms and Conditions document on our website (<http://senortech.com.au/pages/warranty>) for further details.

Parts warranty vary; please refer to your Account Manager for details.

WARRANTY POLICY

The following statements should be read in conjunction with the Senor Tech Limited, Extended and/or On-Site Warranty documents as provided on our website.

Senor Tech offers a standard 36 months return-to-base (RTB) warranty for our POS units with some exceptions; please refer to the table below for full details: