

***UMD's newsletter on Edgeware products & solutions.***

**In this issue:**

- New Agency – Cradlepoint Technologies
- New Product Release – Cradlepoint PHS300 3G Portable Hotspot
- New Product Release – Cradlepoint MBR1200 3G Failsafe Router
- New Product Release – Cradlepoint CBA250 3G to Ethernet Converter

## **New Agency – Cradlepoint Technologies**

UMD is proud to introduce [Cradlepoint Technologies](#), range of 3G and 4G routers to the Australian and New Zealand marketplace.

### **Easily Create Instant, Secure Networks.**

Cradlepoint products deliver WiFi via mobile broadband networks. Transform a single mobile broadband data modem into a shareable, ubiquitous WiFi signal.

Cradlepoint products also connect to traditional networks as significantly-improved dial-up replacement options. Their powerful failover / failback feature protects productivity when primary data connections are down.

Wherever there is cell phone coverage, on vacation or remote work site, Cradlepoint products plus a mobile broadband data modem give WiFi devices a reliable, secure connection to the internet.

### **3G and 4G Mobile Broadband Solutions**

Cradlepoint products are a key enabling technology to help deliver mobile solutions and provide additional value and flexibility to mobile data.

*"Cradlepoint products are an excellent fit to UMD's edgeware product distribution and solution offering. A key aspect of data capture is to capture data where it is actually generated, and move it to where it is needed. Furthermore, more of this data capture is mobile. Cradlepoint products are a key enabling technology to build such solutions."*

*Geoffrey Ramadan, Managing Director and Chief Solution Architect.*

## **Resources**

- UMD Web Page..... <http://www.umd.com.au/cradlepoint/>  
Cradlepoint Web Site..... <http://www.cradlepoint.com/>  
Cradlepoint Case Studies ..... <http://www.cradlepoint.com/solutions/cradlepoint-action>  
Literature Kit ..... contact [sales@umd.com.au](mailto:sales@umd.com.au) for a copy

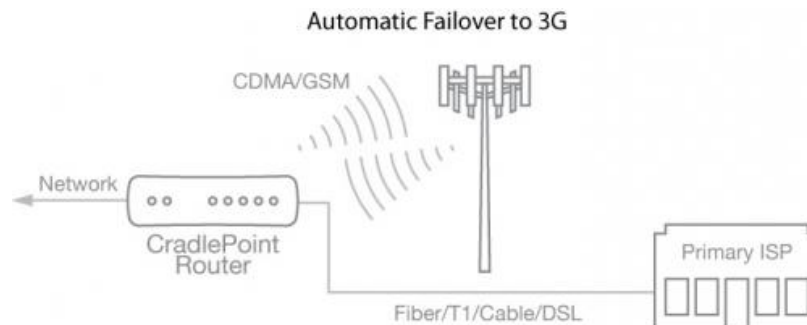
# Cradlepoint Technologies – Key Products

## Portable Hot Spot Connections with the PHS300



- *The first battery powered WiFi Router*
- *Adds 3G to WiFi devices*
- *Consolidate up to 32 WiFi devices to one 3G modem*
- *UMD Web Page:* [http://www.umd.com.au/itd/products/cradlepoint\\_phs300.html](http://www.umd.com.au/itd/products/cradlepoint_phs300.html)

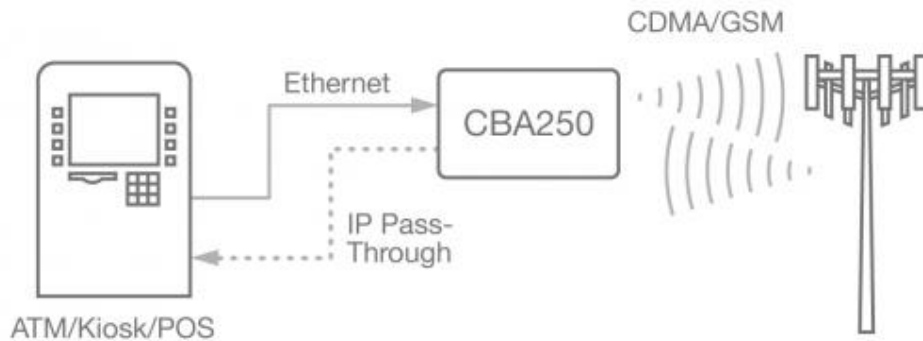
## Fail Safe and Fail Over with the MBR1200



- *Maintain your internet connection at all times - in stores, in offices and on site!*
- *The MBR1200 provides you automated fail over and fall back capability for services with inbuilt gigabyte Ethernet and WiFi support*
- *UMD Web Page:* [http://www.umd.com.au/itd/products/cradlepoint\\_mbr1200.html](http://www.umd.com.au/itd/products/cradlepoint_mbr1200.html)

# Ethernet to 3G connectivity with the CBA250

## Primary Connection with IP Pass-Through



- Add 3G to virtually any Ethernet device
- Suitable for kiosks, M2M, Point of Sale and any computer!
- UMD Web Page: [http://www.umd.com.au/itd/products/cradlepoint\\_cba250.html](http://www.umd.com.au/itd/products/cradlepoint_cba250.html)

As usual, please contact [sales@umd.com.au](mailto:sales@umd.com.au) for any queries.

Kind Regards,

### **Customer Service Team**

Anushka Somatilake – Internal Sales Engineer  
 Paul Otto – Technical Sales & Support  
 Nerelie Maclean – Dealer Administration  
 Jenny Owens – Accounts and Support

**Unique Micro Design Pty Ltd**  
 ...Engineering ICT solutions

Wellington Road Business Park  
 200 Wellington Road  
 Clayton, VIC 3168, Australia  
 PO Box 4297, Mulgrave, VIC 3170, Australia  
 Phone : +61-3-9582-7000      Fax : +61-3-9582-7001  
<http://www.umd.com.au>

### **Contact Details**

<a href="mailto:Sales@umd.com.au">Sales@umd.com.au</a>	<a href="mailto:Support@umd.com.au">Support@umd.com.au</a>
+61-3-9582-7070	+61-3-9582-7050
<a href="mailto:Service@umd.com.au">Service@umd.com.au</a>	<a href="mailto:Accounts@umd.com.au">Accounts@umd.com.au</a>
+61-3-9582-7060	+61-3-9582-7010

### **Administration**

If you wish to change, add or delete any contact details  
[:DealerAdmin@umd.com.au](mailto:DealerAdmin@umd.com.au) or  
<http://www.umd.com.au/newsletter.html>

**UMD FITS Service (Find-IT-Service)** <http://www.umd.com.au/solutions> Free service to find IT solutions

**UMD Custom Label Quotation** <http://labels.umd.com.au>

**UMD On Line Shop for Consumables** <http://shop.umd.com.au>